

Features

- Premium construction ensures durability and reliability
- Cross handles
- Push-button diverter
- 35° spout
- NPT connection

Required Accessories

K-11748-K

or

K-11748-KS

Adapters, Rough-in and Extension Kits

1016154

88526



Codes/Standards

ASME A112.18.1/CSA B125.1

ASSE 1016






DOE - Energy Policy Act 1992

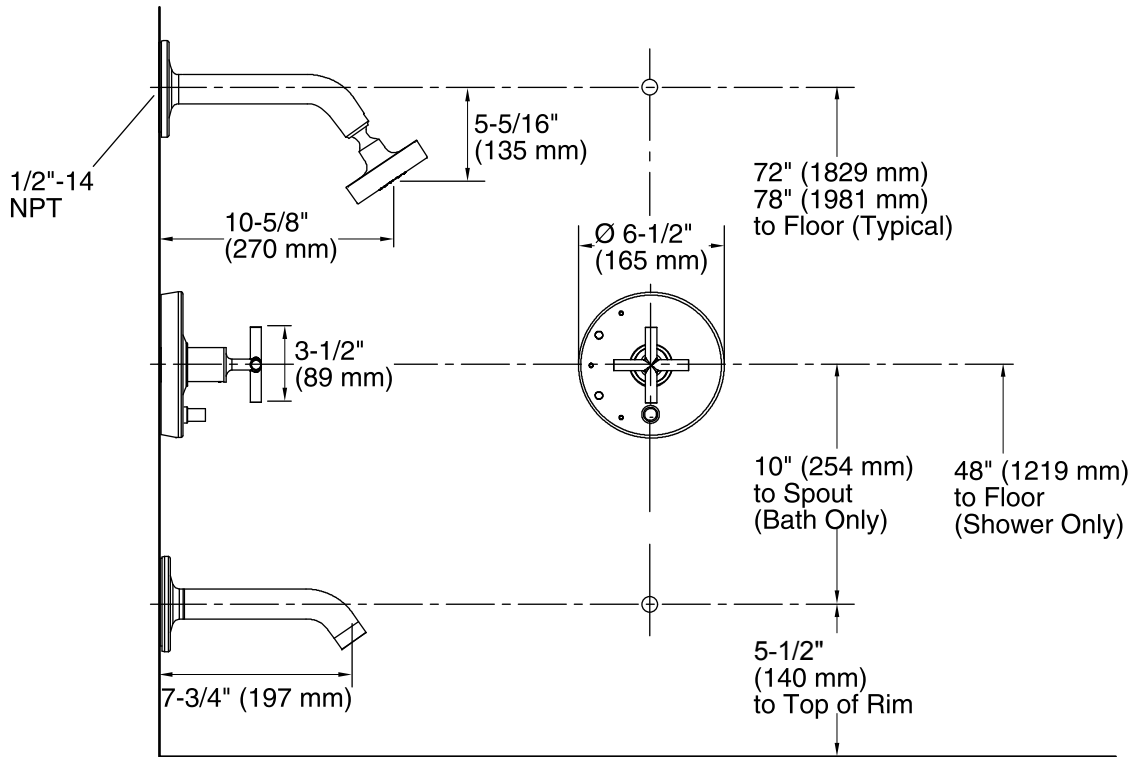
California Energy Commission (CEC)

See website for detailed warranty information.

Available Color/Finishes

Color tiles intended for reference only.

Color	Code	Description
	CP	Polished Chrome
	SN	Vibrant® Polished Nickel
	BGD	Vibrant® Moderne Brushed Gold
	BN	Vibrant® Brushed Nickel
	BV	Vibrant® Brushed Bronze



Technical Information

All product dimensions are nominal.

Showerhead:

Rated maximum flow: 2.5 gal/min (9.5 l/min)

Pressure: 80 psi (5.5 bar)

Notes

Install this product according to the installation guide.

Avoid cross-flow conditions. Do not install shut-off device on either valve outlet.

Cap the shower outlet if deck-mount spout, diverter, or handshower is connected to the spout outlet.