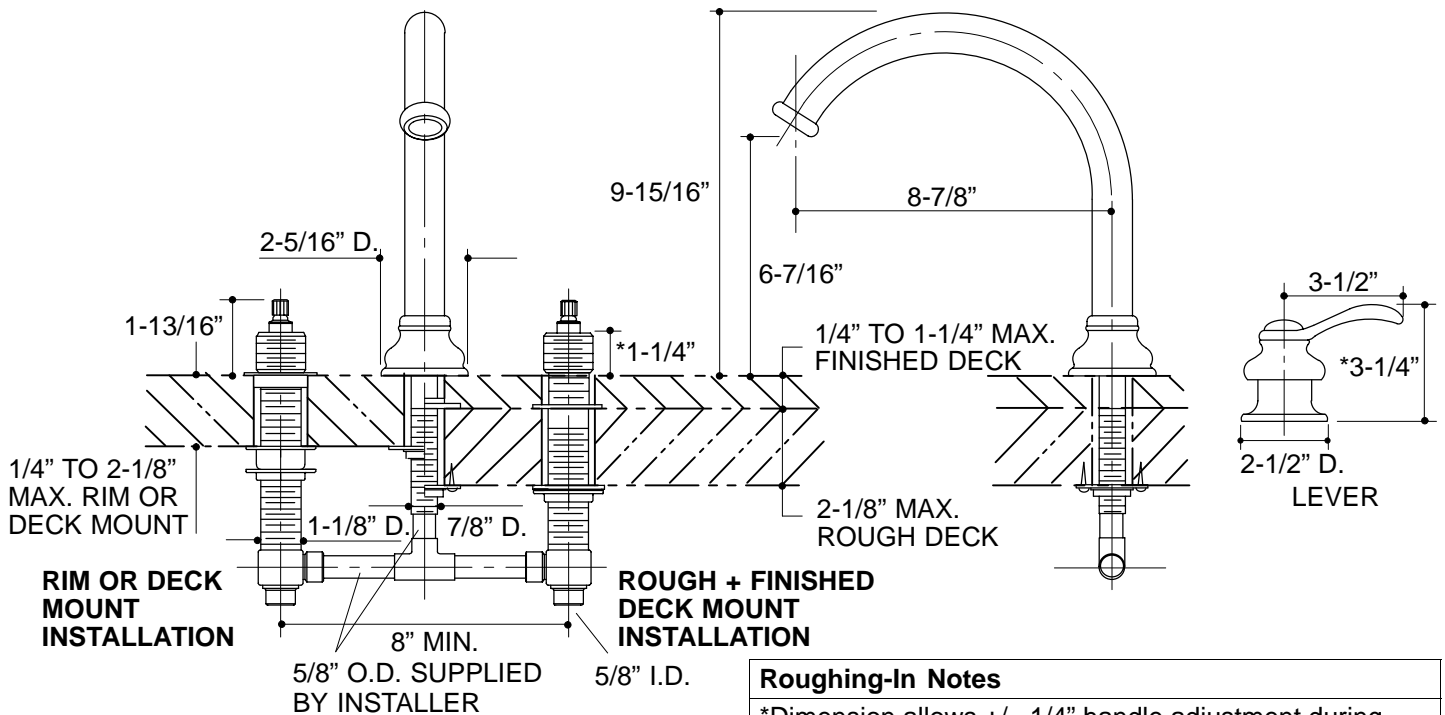


Ordering Information

Applicable faucet trim:		
Lever handles with spout	K-T12885-4	
Applicable valve:		
1/2" valve system	K-300-K-NA	required*
* Required for configuration illustrated.		
ADA Lever handles are ADA compliant		



Roughing-In Notes

*Dimension allows +/- 1/4" handle adjustment during handle trim installation.

316

K-T12885, K-300-K Fairfax™ Bath Faucet Trim
116553-1-AA (-)

KOHLER®

NOTES: