

Features

- Brass construction
- Front seal plate assembly
- Handle assembly
- Complements Bancroft® Suite
- Lever handle(s)

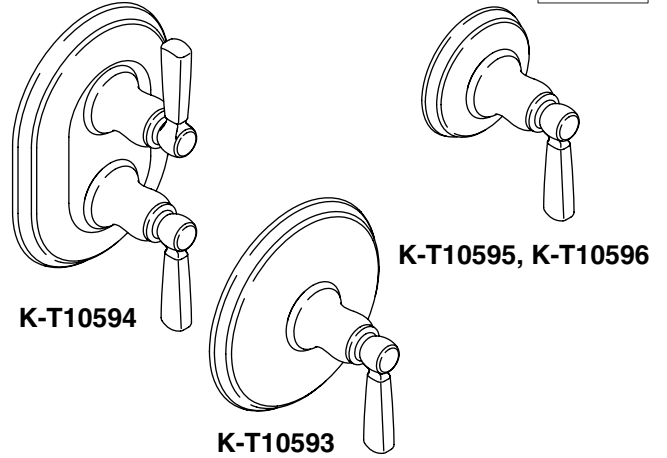
THERMOSTATIC FAUCET TRIM
K-T10593
ALSO K-T10594, K-T10595, K-T10596

ADA

Codes/Standards Applicable

Specified model meets or exceeds the following:

- ADA
- ASSE 1016
- ASME A112.18.1/CSA B125.1
- ICC/ANSI A117.1



Colors/Finishes

- CP: Polished Chrome
- Other: Refer to Price Book for additional colors/finishes
- NA: None applicable

Specified Model

For complete faucet, both faucet trim and valving must be specified.			
Model	Description	Colors/Finishes	
K-T10593-4	Thermostatic valve trim, metal lever handle	<input type="checkbox"/> CP	<input type="checkbox"/> Other _____
K-T10593-4P	Thermostatic valve trim, ceramic lever handle	<input type="checkbox"/> CP	<input type="checkbox"/> Other _____
K-T10594-4	Stacked thermostatic valve trim, metal lever handle	<input type="checkbox"/> CP	<input type="checkbox"/> Other _____
K-T10594-4P	Stacked thermostatic valve trim, ceramic lever handle	<input type="checkbox"/> CP	<input type="checkbox"/> Other _____
K-T10595-4	Transfer valve trim, metal lever handle	<input type="checkbox"/> CP	<input type="checkbox"/> Other _____
K-T10595-4P	Transfer valve trim, ceramic lever handle	<input type="checkbox"/> CP	<input type="checkbox"/> Other _____
K-T10596-4	Volume control trim, metal lever handle	<input type="checkbox"/> CP	<input type="checkbox"/> Other _____
K-T10596-4P	Volume control trim, ceramic lever handle	<input type="checkbox"/> CP	<input type="checkbox"/> Other _____

Required Accessory		
K-669-KS	3/4" Thermostatic valve	<input type="checkbox"/> NA
K-670-KS	3/4" Stacked thermostatic valve	<input type="checkbox"/> NA
K-671-K	3/4" Volume control	<input type="checkbox"/> NA
K-679-KS	1/2" Thermostatic valve	<input type="checkbox"/> NA
<i>Required accessory continued on page 2.</i>		

Product Specification
Thermostatic faucet trim shall be of brass construction. Trim shall include front seal plate assembly and handle assembly. Product shall have lever handle(s). Trim shall complement the Bancroft Suite. Faucet trim shall be Kohler Model K-T____-____-____ and thermostatic valving shall be K-____-____-NA.

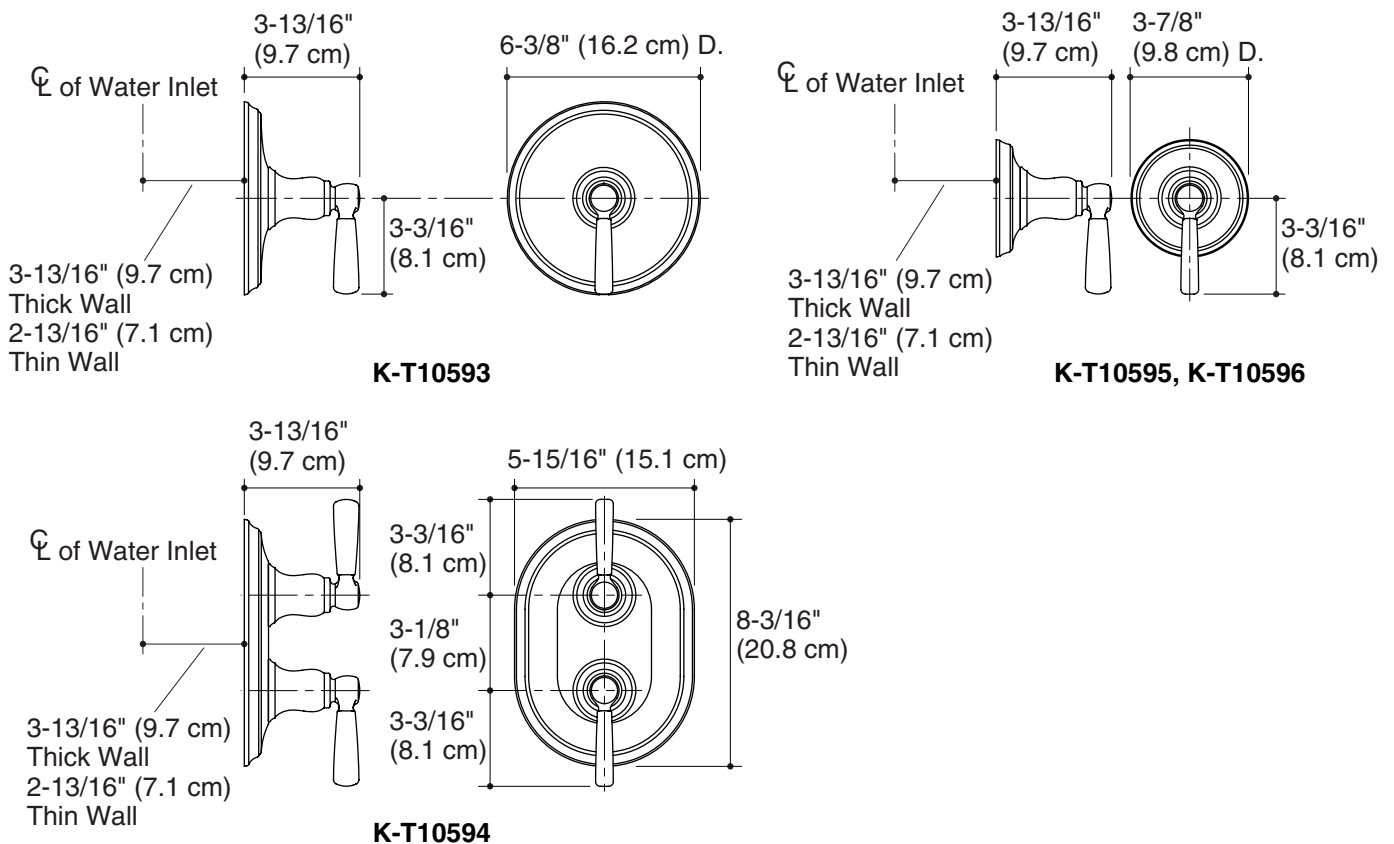
BANCROFT™

Required Accessory (continued)

K-680-KS	1/2" Stacked thermostatic valve	<input type="checkbox"/> NA
K-681-K	1/2" Volume control	<input type="checkbox"/> NA
K-728-K	3/4" Transfer valve	<input type="checkbox"/> NA

Installation Notes

Install this product according to the installation guide.



Product Diagram