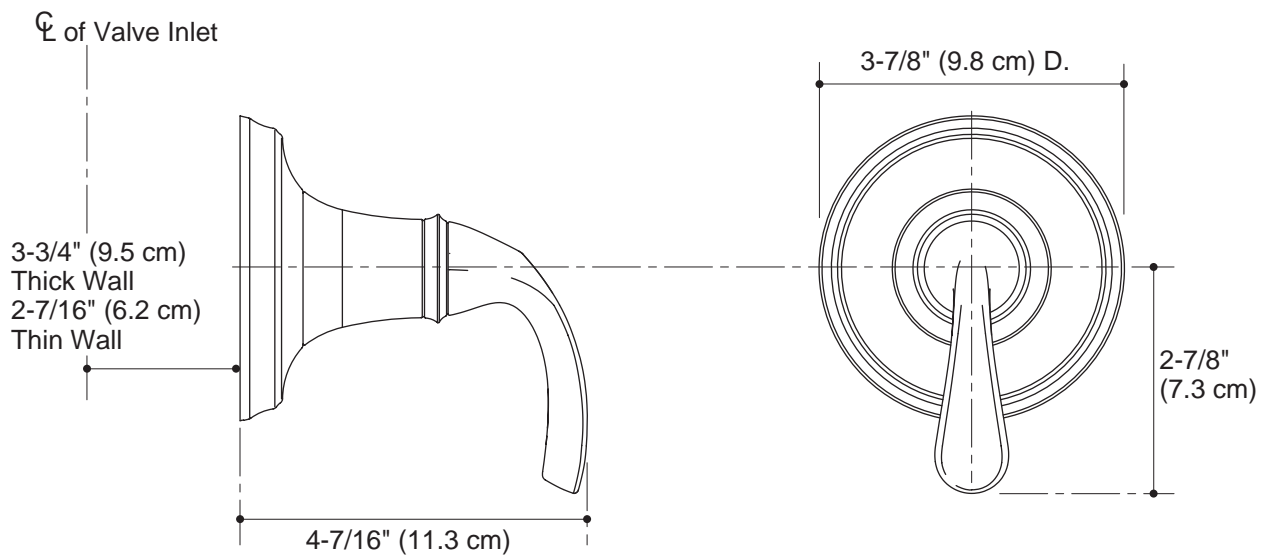


### Product Information

<b>Applicable faucet trim only*:</b>	
Transfer valve trim	K-T10290-4
*Applicable valve must be ordered to complete the faucet.	
Sculpted lever handle is ADA compliant.	<b>ADA</b>
<b>Applicable thermostatic valve only (not shown)**:</b>	
3/4" Transfer valve	K-672-K
**Required for the illustration configured below.	

### Installation Notes

Install this product according to the installation guide.



K-T10290