

Features

- Premium material construction.
- Intended for use with Rite-Temp® or HiFlow Rite-Temp® valves.
- Sculpted lever handle.

Required Accessories

- K-304-K Pressure-Balancing Valve Less Stops
- or
- K-304-KS Pressure-Balancing Valve With Stops
- or
- K-304-CS Pressure-Balancing Valve With Stops
- or
- K-304-CX Pressure-Balancing Valve Less Stops
- or
- K-304-PS Pressure-Balancing Valve With Stops
- or
- K-304-PX Pressure-Balancing Valve Less Stops
- or
- K-304-US Pressure-Balancing Valve With Stops
- or
- K-304-UX Pressure-Balancing Valve Less Stops
- or
- K-2971-KS 3/4" Pressure-balancing Valve



For complete listing of available colors, go to kohler.com.

Codes/Standards

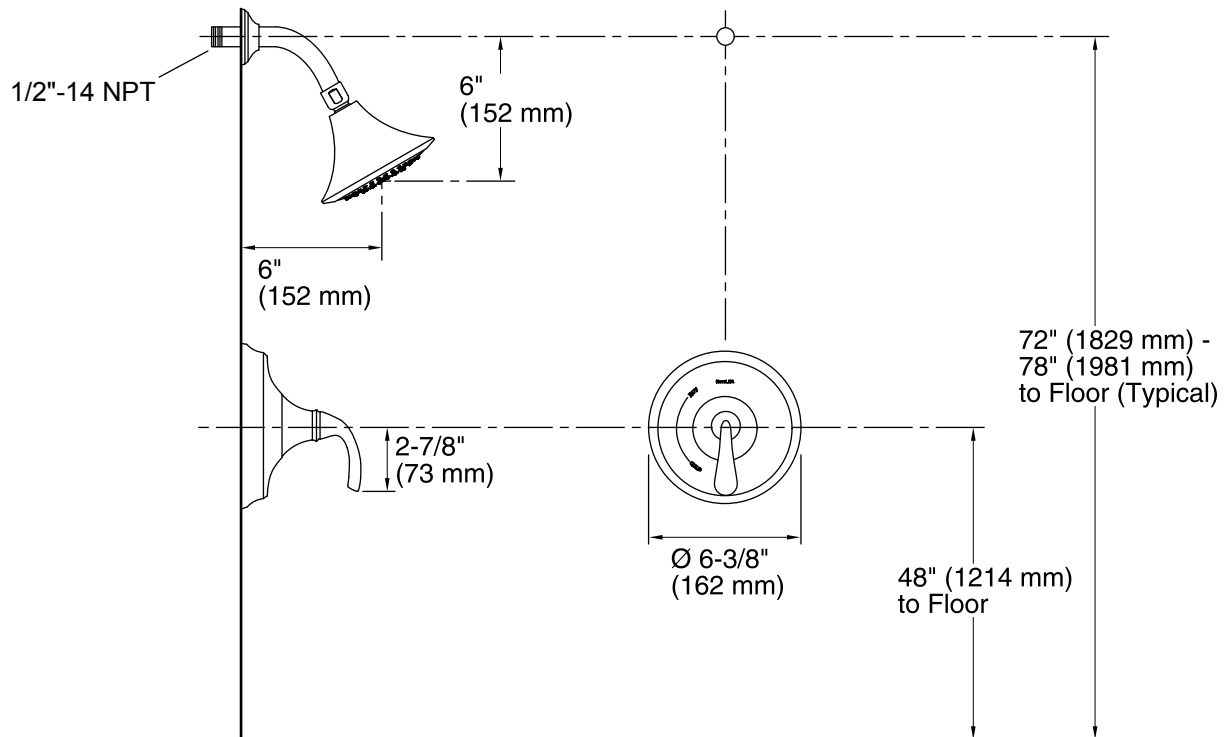
ASME A112.18.1/CSA B125.1
ASSE 1016

KOHLER® Faucet Lifetime Limited Warranty

See website for detailed warranty information.

Product Specification

Shower trim shall be made of premium material construction. Shower trim shall be Kohler Model K-T10276-4.



Technical Information

All measurements are nominal.

Pressure: 45 psi (3.1 bar)

Showerhead:

Flow rate: 2.5 gal/min (9.5 l/min)

Installation Notes

NOTICE: Risk of product damage. Long screws, for installing trim, can damage the K-2971-KS valve. Consult the trim installation guide to verify if the thin wall installation kit (88526) is needed.

Install this product according to the installation guide.

Install Rite-Temp valve according to valve installation guide.

Avoid cross-flow conditions. Do not install a shut-off device on either valve outlet.

Cap the shower outlet if the deck-mounted spout, diverter, or handshower is connected to the spout outlet.

If installing a K-304 valve, install straight pipe or tube drop of 7" (178 mm) to 18" (457 mm) with single elbow between the valve and the wall-mount spout.

Product Information

Applicable valve:	Handles are ADA compliant. ADA	
Shower only trim*, sculpted lever handle, showerhead	K-T10276-4	shown
Shower only trim*, traditional lever handle, showerhead	K-T10276-4A	shown
Valve only trim*, sculpted lever handle	K-T10277-4	shown
Valve only trim*, traditional lever handle	K-T10277-4A	shown
Sculpted NPT diverter bath spout	K-10280-4	not shown
Traditional NPT diverter bath spout	K-10280-4A	not shown
Sculpted slip-fit diverter bath spout	K-10281-4	shown
Traditional slip-fit diverter bath spout	K-10281-4A	not shown

*Rite-Temp valve must be ordered to complete faucet.

Recommended Accessories	
HiFlow Rite-Temp thin wall installation kit*	88526
* For K-306-KS valve in a fiberglass or acrylic installation.	

Required Accessories	
Rite-Temp valve without stops OR	K-304-K
Rite-Temp valve with stops OR	K-304-KS
HiFlow Rite-Temp valve with stops OR	K-306-KS
Rite-Temp valve with PVC connections OR	K-304-KP
Optional Accessories	
Forté deep roughing-in kit for Rite-Temp valve	1025388

Installation Notes



WARNING: Risk of damage to the K-306-KS valve assembly. When using the K-306-KS valve in a fiberglass or acrylic installation, use the thin wall installation kit (88526).

Install this product according to the installation guide.

Install Rite-Temp valve according to valve installation guide.

Avoid cross-flow conditions. Do not install shut-off device on either valve outlet.

Cap shower outlet if deck-mounted spout, diverter, or handshower is connected to the spout outlet.

Install straight pipe or tube drop of 7" (17.8 cm) to 18" (45.7 cm) with single elbow between valve and wall-mount spout.

