

### Features

- Premium material construction.
- Intended for use with Rite-Temp® or HiFlow Rite-Temp® valves.
- Sculpted lever handle.
- Includes 5-1/4" (133 mm) diverter bath spout with slip-fit connection.

### Required Accessories

- K-304-K Pressure-Balancing Valve Less Stops
- or
- K-304-KS Pressure-Balancing Valve With Stops
- or
- K-304-CS Pressure-Balancing Valve With Stops
- or
- K-304-CX Pressure-Balancing Valve Less Stops
- or
- K-304-PS Pressure-Balancing Valve With Stops
- or
- K-304-PX Pressure-Balancing Valve Less Stops
- or
- K-304-US Pressure-Balancing Valve With Stops
- or
- K-304-UX Pressure-Balancing Valve Less Stops
- or
- K-2971-KS 3/4" Pressure-balancing Valve



For complete listing of available colors, go to [kohler.com](http://kohler.com).

### Codes/Standards

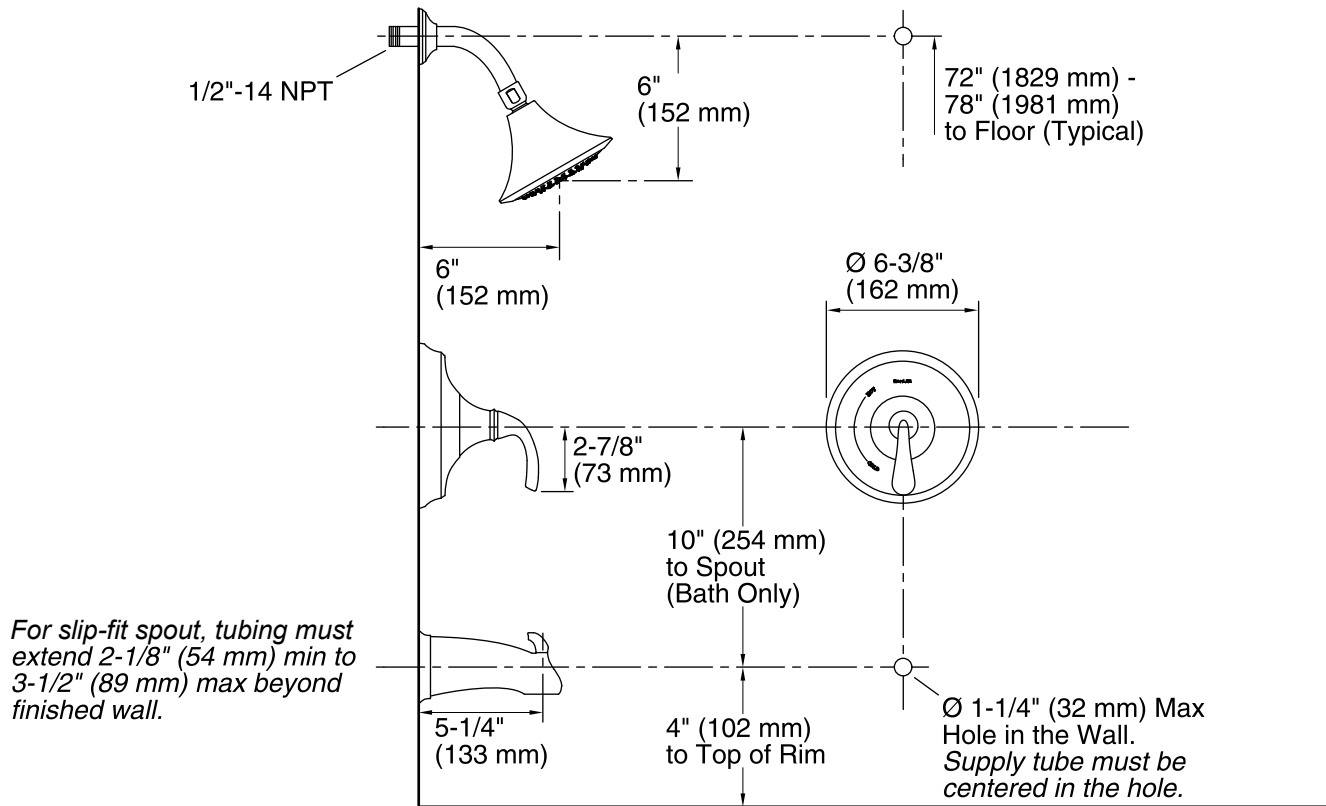
ASME A112.18.1/CSA B125.1  
ASSE 1016

### KOHLER® Faucet Lifetime Limited Warranty

See website for detailed warranty information.

### Product Specification

Bath and shower trim shall be made of premium material construction. Bath and shower trim shall include 5-1/4" (133 mm) diverter bath spout with slip-fit connection. Bath and shower trim shall be K-T10275-4.



### Technical Information

All measurements are nominal.

Pressure: 45 psi (3.1 bar)

### Installation Notes

**NOTICE:** Risk of product damage. Long screws, for installing trim, can damage the K-2971-KS valve. Consult the trim installation guide to verify if the thin wall installation kit (88526) is needed.

Install this product according to the installation guide.

Install the Rite-Temp® valve according to the valve installation guide.

Avoid cross-flow conditions. Do not install a shut-off device on either valve outlet.

Cap the shower outlet if the deck-mounted spout, diverter, or handshower is connected to the spout outlet.

If installing a K-304 valve, install straight pipe or tube drop of 7" (178 mm) to 18" (457 mm) with single elbow between the valve and the wall-mount spout.

### Product Information

Applicable product:	
Bath/shower trim, sculpted lever handle, NPT spout	K-T10274-4
Bath/shower trim, traditional lever handle, NPT spout	K-T10274-4A
Bath/shower trim, sculpted lever handle, slip-fit spout	K-T10275-4
Bath/shower trim, traditional lever handle, slip-fit spout	K-T10275-4A
Bath/shower trim, script lever handle, slip-fit spout	K-T10275-4G
Rite-Temp® valve must be ordered to complete faucet.	

Lever handles are ADA compliant. **ADA**

Required accessories:	
Rite-Temp® valve without stops, NPT connections <b>OR</b>	K-304-K
Rite-Temp® valve with stops, NPT connections <b>OR</b>	K-304-KS
HiFlow Rite-Temp® valve with integral stops, NPT connections <b>OR</b>	K-306-KS
Rite-Temp® valve with PVC connections	K-304-KP

Recommended accessories:	
HiFlow Rite-Temp® thin wall installation kit	88526
Optional accessories:	
Forte® deep roughing-in kit for Rite-Temp® valve (lever handles)	1025388

### Installation Notes



**WARNING: Risk of damage to the K-306-KS valve assembly.** When using the K-306-KS valve in a fiberglass or acrylic installation, use the thin wall installation kit (88526).

Install this product according to the installation guide.

Install the Rite-Temp® valve according to the valve installation guide.

Avoid cross-flow conditions. Do not install shut-off device on either valve outlet.

Cap shower outlet if deck-mounted spout, diverter, or handshower is connected to the spout outlet.

Install straight pipe or tube drop of 7" (17.8 cm) to 18" (45.7 cm) with single elbow between valve and wall-mount spout.

