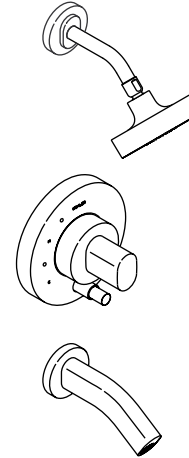


Features

- Metal construction
- Brass valve bodies
- High-temperature limit setting for added safety
- Rite-Temp® pressure-balancing diaphragm design
- Mixing valve cycles from "cold" to "hot"
- Intended for use with Rite-Temp® or HiFlow Rite-Temp® valves
- Pressure-balancing mechanism of one-piece diaphragm cartridge design for ease of maintenance
- Oblong handle

BATH/SHOWER VALVE TRIM
K-T10055-9
ALSO K-10044, K-T10056-9,
K-T10057-9



Codes/Standards Applicable

Specified model meets or exceeds the following:

- ASME A112.18.1/CSA B125.1
- ASSE 1016

Colors/Finishes

- CP: Polished Chrome
- Other: Refer to Price Book for additional colors/finishes

Accessories

- NA: None applicable

Specified Model

Model	Description	Colors/Finishes	
K-T10055-9	Bath/shower valve trim with 1/2" IPS threaded spout	<input type="checkbox"/> CP	<input type="checkbox"/> Other ____
K-T10056-9	Shower valve trim, less diverter spout	<input type="checkbox"/> CP	<input type="checkbox"/> Other ____
K-T10057-9	Mixing valve trim	<input type="checkbox"/> CP	<input type="checkbox"/> Other ____
K-10044	Bath spout	<input type="checkbox"/> CP	<input type="checkbox"/> Other ____

Required Accessories		
K-304-*	Rite-Temp® valve OR	<input type="checkbox"/> NA
K-2971-KS	HiFlow Rite-Temp valve with stops OR	<input type="checkbox"/> NA
K-11748-K	Rite-Temp valve with diverter OR	<input type="checkbox"/> NA
K-11748-KS	Rite-temp valve with diverter and stops	<input type="checkbox"/> NA

* For a complete listing of all the Rite-Temp valves, refer to the K-304-* Specification Sheet or Roughing-In sheet.

Product Specification

The bath/shower valve trim shall be made of metal construction with brass valve bodies. Product shall have a Rite-Temp pressure-balancing diaphragm design valve and pressure-balancing mechanism of one-piece diaphragm cartridge design for ease of maintenance. Product shall feature mixing valve cycles from "cold" to "hot," a high-temperature limit stop for added safety, and an oblong handle. Product is intended for use with Rite-Temp or HiFlow Rite-Temp valves. Bath/shower valve trim shall be Kohler Model K-T-____-9-____ and required Rite-Temp valve shall be K-____-____-NA.

OBLO® RITE-TEMP®

Optional Accessories					
88526	HiFlow Rite-Temp® thin wall installation kit	<input type="checkbox"/> CP			<input type="checkbox"/> Other __
1073881	Deep rough-in kit – for use with K-304-K, K-304-KP, K-304-KS, and K-2971-KS				<input type="checkbox"/> NA
1092535	Deep rough-in kit for valves with push button diverter – for use with K-11748-K and K-11748-KS	<input type="checkbox"/> CP	<input type="checkbox"/> BN	<input type="checkbox"/> SN	

Installation Notes

Install this product according to the installation guide.

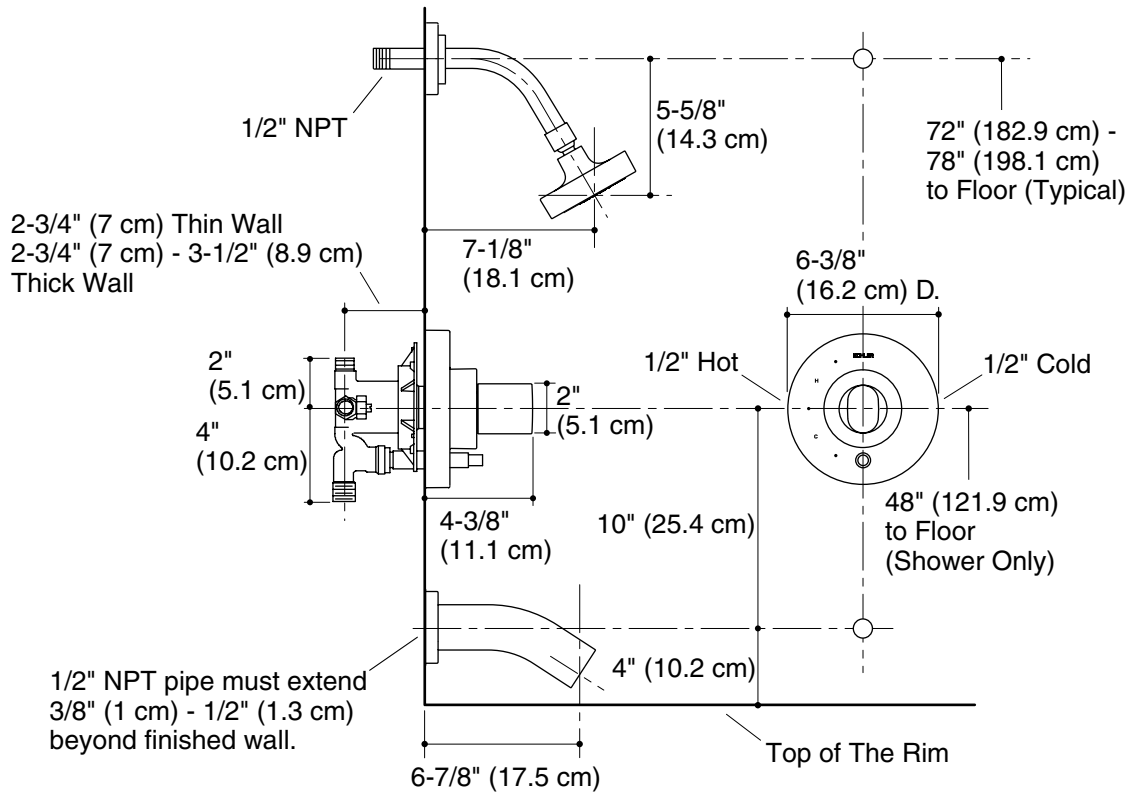
Install the Rite-Temp valve according to the installation guide.

NOTICE: Risk of product damage. Long screws, for installing trim, can damage the K-2971-KS valve. Consult the trim installation guide to verify if the thin wall installation kit (88526) is needed.

Avoid cross-flow conditions. Do not install a shut-off device on either valve outlet.

Cap the shower outlet if the deck-mounted spout, diverter, or handshower is connected to the spout outlet.

Install a 7" (17.8 cm) to 18" (45.7 cm) straight pipe or straight tube with single bath elbow between the valve and the wall-mount spout.



Product Diagram