

Features

- For use with a handshower and hose (sold separately).
- Coordinates with Awaken showerheads, handshowers and showering accessories
- Easy installation using slip fit connection.

Material

- Metal construction.
- KOHLER finishes resist corrosion and tarnishing.

Installation

- Wall-mount



Codes/Standards



ASME A112.18.1/CSA B125.1

KOHLER® Faucet Lifetime Limited Warranty

See website for detailed warranty information.

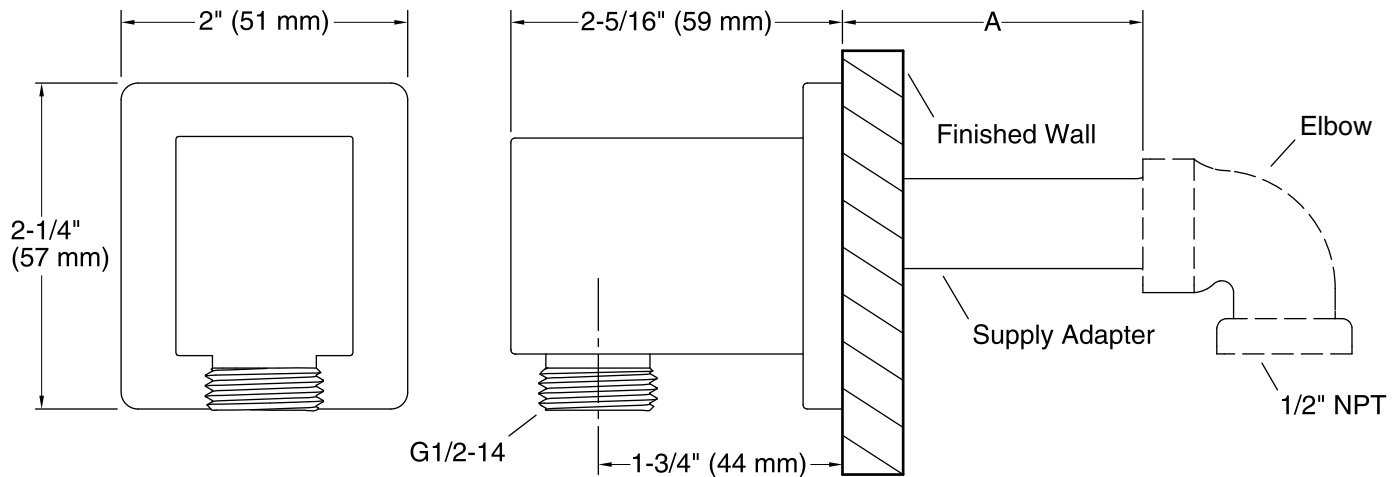
Available Color/Finishes

Color tiles intended for reference only.

| Color | Code | Description |
|--|------|-------------------------|
|  | CP | Polished Chrome |
|  | BN | Vibrant® Brushed Nickel |

| Supply Adapter | A |
|--------------------|------------------------------------|
| 1218069 (included) | 1-13/16" – 2-5/16" (46 mm – 59 mm) |
| 1229031* | 0 – 1/2" (0 – 13 mm) |
| 1247986* | 5/16" – 13/16" (8 mm – 21 mm) |
| 1247985* | 13/16" – 1-5/16" (21 mm – 33 mm) |
| 1247984* | 1-5/16" – 1-13/16" (33 mm – 46 mm) |
| 1218070* | 2-5/16" – 2-13/16" (59 mm – 71 mm) |
| 1218071* | 2-13/16" – 3-5/16" (71 mm – 84 mm) |

*Sold Separately



Technical Information

All product dimensions are nominal.

Notes

Install this product according to the installation guide.

IMPORTANT! Verify and ensure the "A" dimension (from the supply elbow to the finished wall surface).