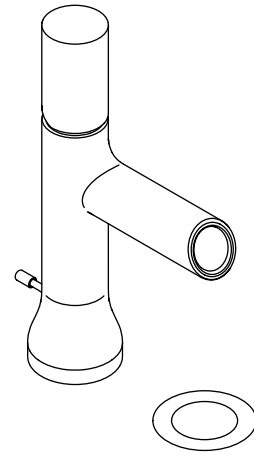


Features

- Brass construction
- One-piece, self-contained ceramic disc valve allows both volume and temperature control
- Temperature memory allows faucet to be turned on and off at any temperature setting
- Flexible connections for easy installation
- Single-hole mounting
- Cylindrical handle
- Pop-up drain with tailpiece
- 4" (102 mm) spout reach
- 1.5 gpm (5.7 lpm) maximum flow rate

**SINGLE-CONTROL LAVATORY FAUCET
K-8959**

ADA



Codes/Standards Applicable

Specified model meets or exceeds the following at date of manufacture:

- ADA
- ICC/ANSI A117.1
- ASME A112.18.1/CSA B125.1
- NSF 61
- All applicable US Federal and State material regulations

Colors/Finishes

- CP: Polished Chrome
- Other: Refer to Price Book for additional colors/finishes

Specified Model

Model	Description	Description	
K-8959-7	Single-control lavatory faucet	<input type="checkbox"/> CP	<input type="checkbox"/> Other _____

Product Specification

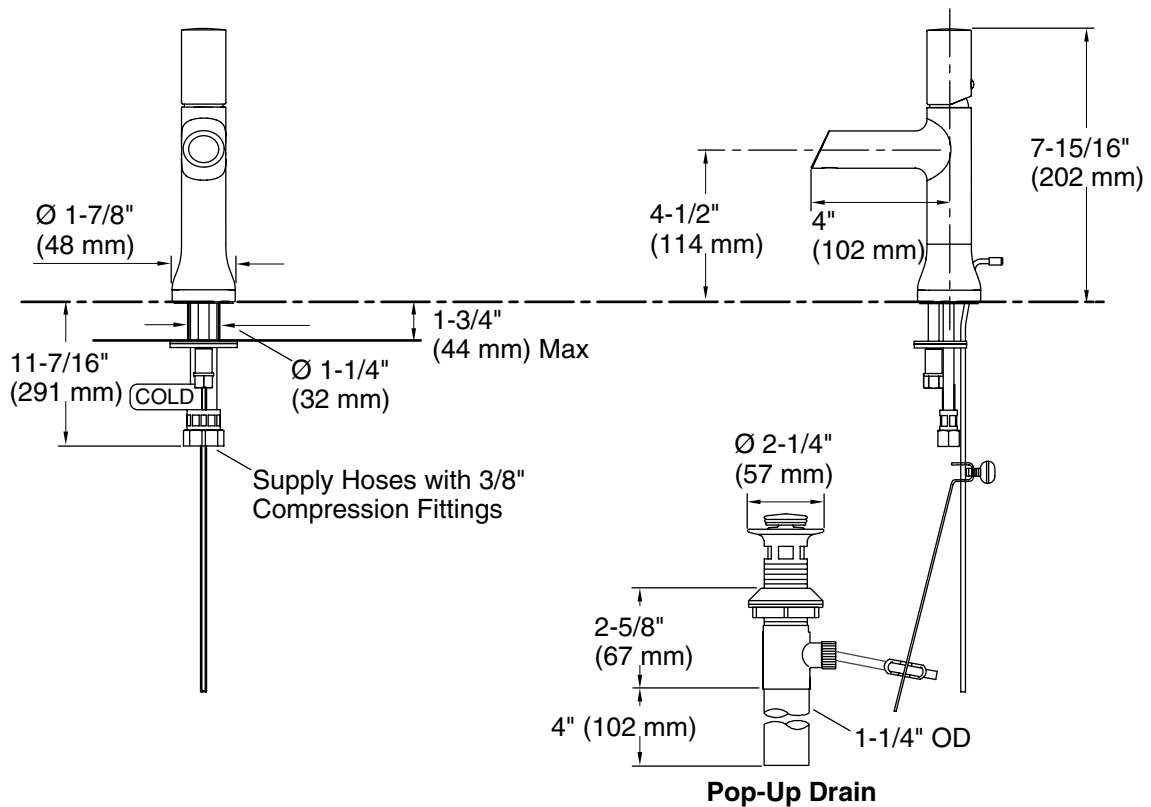
The single-control lavatory faucet shall be made of brass construction. Product shall have a maximum flow rate of 1.5 gallons (5.7 liters) per minute. Product shall feature a one-piece, self-contained ceramic disc valve, allowing volume control. Product shall feature temperature memory, allowing the faucet to be turned on and off at any temperature setting. Product shall be for single-hole mounting. Product shall feature a 4" (103 mm) spout reach, cylindrical handle, a pop-up drain with tailpiece, and flexible connections for easy installation. Faucet shall be Kohler Model K-8959-7-_____.

TOOBI™

Installation Notes

Install this product according to the installation guide.

ADA compliant when installed to the specific requirements of the regulation.



Product Diagram