

Features

- Cast iron with Safeguard® finish
- ADA compliant when installed per Section 607 of the Act
- 60" (1524 mm) x 32" (813 mm) x 15-1/2" (394 mm)

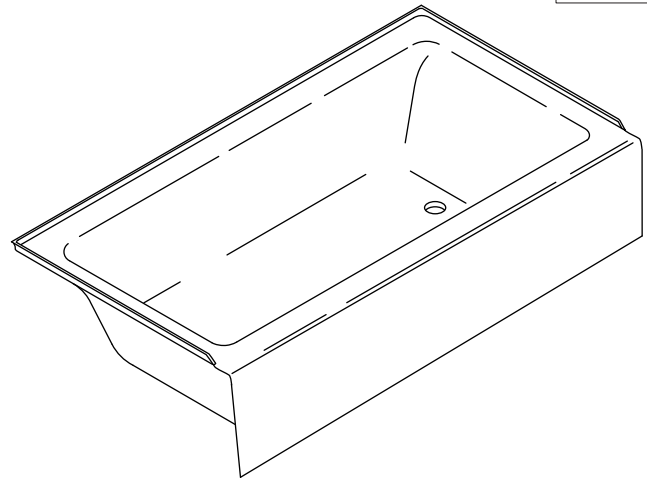
BATH WITH APRON
K-875
ALSO K-876

ADA

Codes/Standards Applicable

Specified model meets or exceeds the following:

- ADA
- ASME A112.19.1/CSA B45.2
- ICC/ANSI A117.1



Colors/Finishes

- 0: White
- Other: Refer to Price Book for additional colors/finishes

Accessories

- CP: Polished Chrome
- Other: Refer to Price Book for additional colors/finishes
- NA: None applicable

Specified Model

Model	Description	Colors/Finishes	
K-875	Bath with apron – left drain	<input type="checkbox"/> 0	<input type="checkbox"/> Other _____
K-876	Bath with apron – right drain (shown)	<input type="checkbox"/> 0	<input type="checkbox"/> Other _____

Required Accessories

K-7214	Clearflo cable bath drain, less PVC tubing	<input type="checkbox"/> CP	<input type="checkbox"/> Other _____	
K-7261	Fitting/pipe kit			<input type="checkbox"/> NA

Optional Accessories

K-952	Stillness® wall-mount bath spout	<input type="checkbox"/> CP	<input type="checkbox"/> Other _____
K-10044	Oblo® wall-mount bath spout	<input type="checkbox"/> CP	<input type="checkbox"/> Other _____
K-14426	Purist® wall-mount non-diverter bath spout, 35°	<input type="checkbox"/> CP	<input type="checkbox"/> Other _____

Product Specification

The bath with apron shall be made of cast iron with Safeguard finish. Bath shall be 60" (1524 mm) in length, 32" (813 mm) in width, and 15-1/2" (394 mm) in height. Bath shall be Kohler Model K-____-____.

BELLWETHER™

Optional Accessories continued

K-14427	Purist® wall-mount non-diverter bath spout, 90°	<input type="checkbox"/> CP	<input type="checkbox"/> Other_____
K-15137	Coralais® non-diverter bath spout	<input type="checkbox"/> CP	<input type="checkbox"/> Other_____
K-15138	Coralais® diverter bath spout	<input type="checkbox"/> CP	<input type="checkbox"/> Other_____
K-16246	Margaux® wall-mount bath spout	<input type="checkbox"/> CP	<input type="checkbox"/> Other_____

Technical Information

Fixture*:	
Bathing well:	
Basin area, bottom	41-1/4" (1048 mm) x 18-3/16" (462 mm)
Basin area, top	51-1/4" (1302 mm) x 23-5/16" (592 mm)
Weight	298 lbs (135.2 kg)
To overflow:	
Water depth	11-5/16" (287 mm)
Capacity	44 gal (166.6 L)
* Approximate measurements for comparison only.	

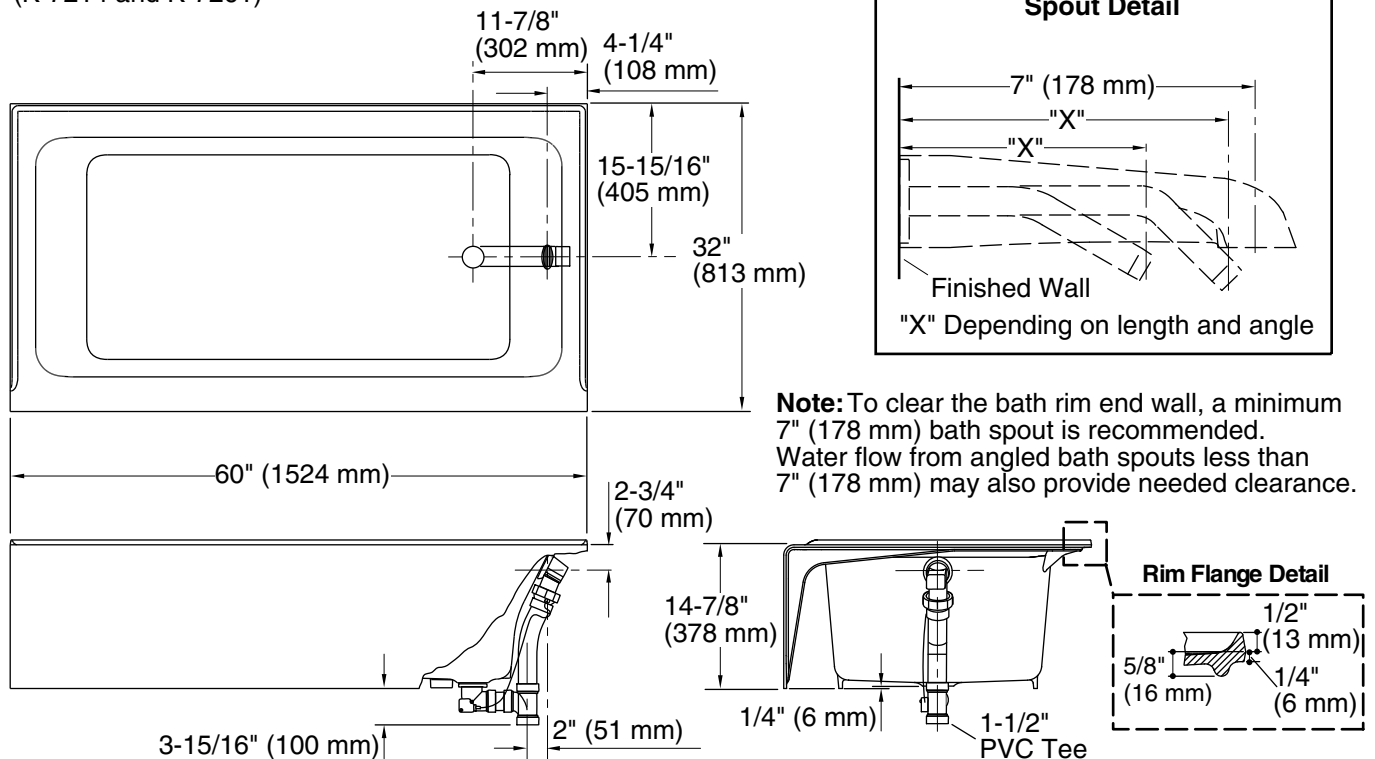
Installation Notes

Install this product according to the installation guide.

Floor support under bath must provide for a minimum of 52 lbs/square foot (253 kg/square meter) loading.

Will comply with **ADA** when installed per Section 607 Bathtubs of the Act.

No change in measurements if connected with drain and fitting/pipe kit illustrated. (K-7214 and K-7261)



Product Diagram