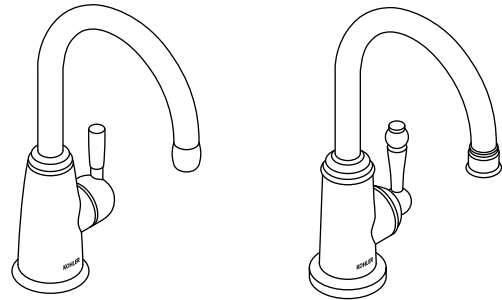


**BEVERAGE FAUCET
K-6665
ALSO K-6666**

ADA

Features

- Brass construction
- Brass valve bodies
- Quarter-turn washerless ceramic disc valves
- Single-hole mounting
- Right side lever handle
- Available with contemporary or traditional styling
- Available with Aquifer Water Filtration System [-F]
- Available with a 7-5/8" (194 mm) or 8-3/4" (222 mm) high-arch rotating spout
- Available with a 3" (76 mm) or 4-7/8" (124 mm) spout reach
- 1.6 gpm (6 lpm) per minute maximum flow rate



Codes/Standards Applicable

Specified model meets or exceeds the following:

- ADA
- ASME A112.18.1/CSA B125.1
- ICC/ANSI A117.1
- Energy Policy Act of 2005
- NSF 61
- All applicable US Federal and State material regulations

Colors/Finishes

- CP: Polished Chrome
- Other: Refer to Price Book for additional colors/finishes

Accessories

- NA: None applicable

Specified Model

Model	Description	Colors/Finishes	
K-6665	Beverage faucet – contemporary styling	<input type="checkbox"/> CP	<input type="checkbox"/> Other _____
K-6665-F	Beverage faucet with Aquifer Water Filtration System – contemporary styling	<input type="checkbox"/> CP	<input type="checkbox"/> Other _____
K-6666	Beverage faucet – traditional styling	<input type="checkbox"/> CP	<input type="checkbox"/> Other _____
K-6666-F	Beverage faucet with Aquifer Water Filtration System – traditional styling	<input type="checkbox"/> CP	<input type="checkbox"/> Other _____

Optional Accessories*

K-201	Aquifer hi-flow replacement cartridge – 1.5 gpm (5.7 lpm) flow rate with 1,500 gal (5,678 L) capacity	<input type="checkbox"/> NA
K-202	Aquifer premium replacement cartridge – 0.6 gpm (2.3 lpm) flow rate with 1,500 gal (5,678 L) capacity	<input type="checkbox"/> NA

*Cartridge required for -F models only.

Product Specification

The single-hole mounting beverage faucet shall be of brass construction and brass valve body. Product shall have a 1.6 gpm (6 lpm) per minute maximum flow rate. Product shall feature quarter-turn washerless ceramic disc valves, a right side ADA compliant lever handle, an aerator, and a stainless steel hose. Product shall be available with contemporary or traditional styling. Product shall be available with a 7-5/8" (194 mm) or 8-3/4" (222 mm) high-arch rotating spout. Product shall be available with a 3" (76 mm) or 4-7/8" (124 mm) spout reach. Product shall be available with an Aquifer Water Filtration System [-F]. Faucet shall be Kohler Model K-____-____ or K-____-F-____.

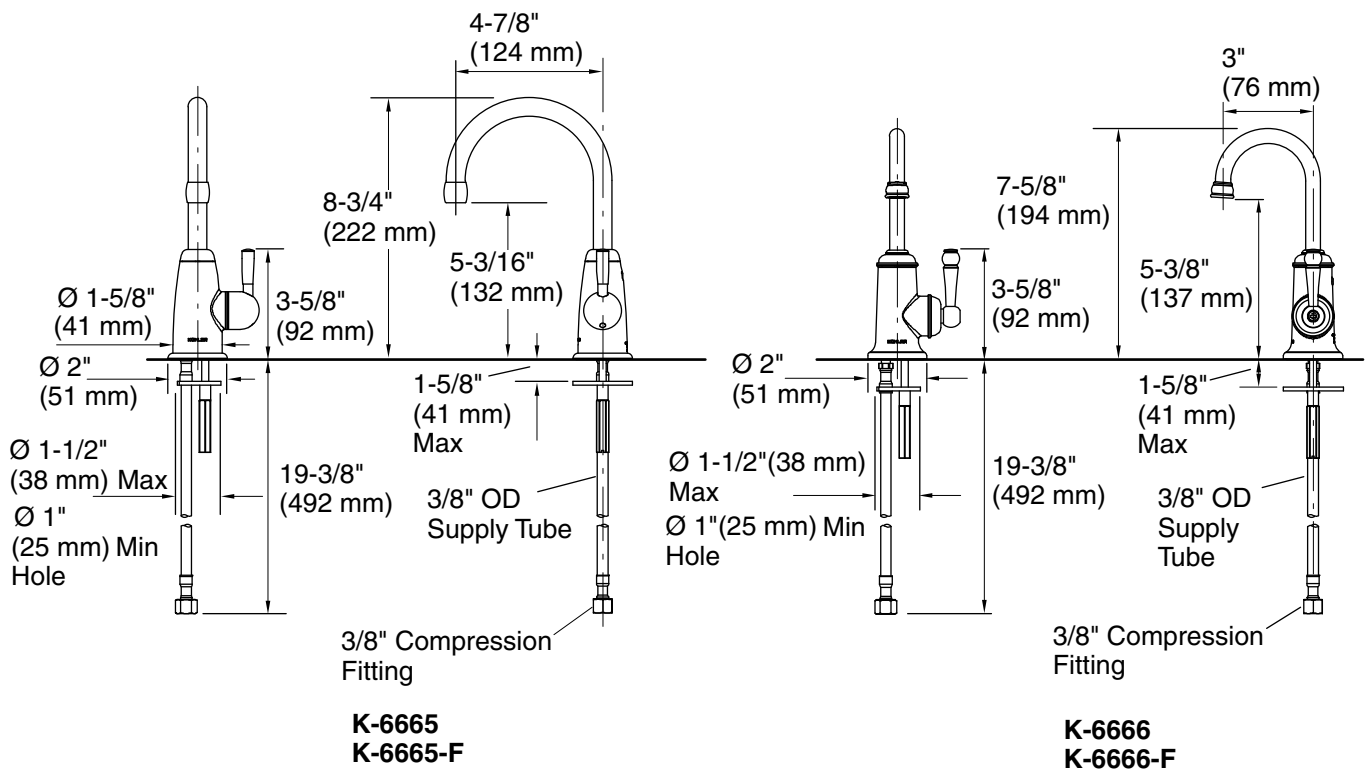
WELLSPRING®

Installation Notes

Install this product according to the installation guide.

NOTICE: Do not use this product with instant hot water systems or reverse osmosis (RO) filtration systems. Product damage will result.

Product complies with ASME A112.18.1/CSA B125.1. All dimensions are nominal.



Product Diagram