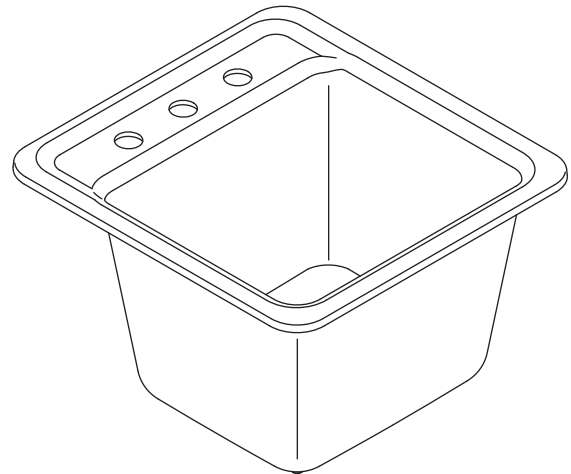


### Features

- KOHLER cast iron
- Acid-resistant enamel finish
- Tile-in
- Single bowl
- 2-hole (-2), or 3-hole (-3)
- 20" (508 mm) x 21" (533 mm)

### TILE-IN UTILITY SINK K-6656



### Codes/Standards Applicable

Specified model meets or exceeds the following:

- ASME A112.19.1/CSA B45.2

### Colors/Finishes

- 0: White
- Other: Refer to Price Book for additional colors/finishes

### Accessories

- CP: Polished Chrome
- Other: Refer to Price Book for additional colors/finishes

### Specified Model

Model	Description	Colors/Finishes	
K-6656-2	2-hole sink	<input type="checkbox"/> 0	<input type="checkbox"/> Other_____
K-6656-3	3-hole sink	<input type="checkbox"/> 0	<input type="checkbox"/> Other_____
<b>Recommended Accessories</b>			
K-9000	P-Trap	<input type="checkbox"/> CP	
<b>Optional Accessories</b>			
K-8801	Duostrainer® sink strainer	<input type="checkbox"/> CP	<input type="checkbox"/> Other_____

### Product Specification

The tile-in utility sink shall be 20" (508 mm) in length and 21" (533 mm) in width. Sink shall be made of cast iron with acid-resistant enamel finish. Sink shall be single bowl. Sink shall be 1-hole (-1), 2-hole (-2), or 3-hole (-3). Sink shall be Kohler Model K-6656-\_\_\_\_\_-\_\_\_\_\_.

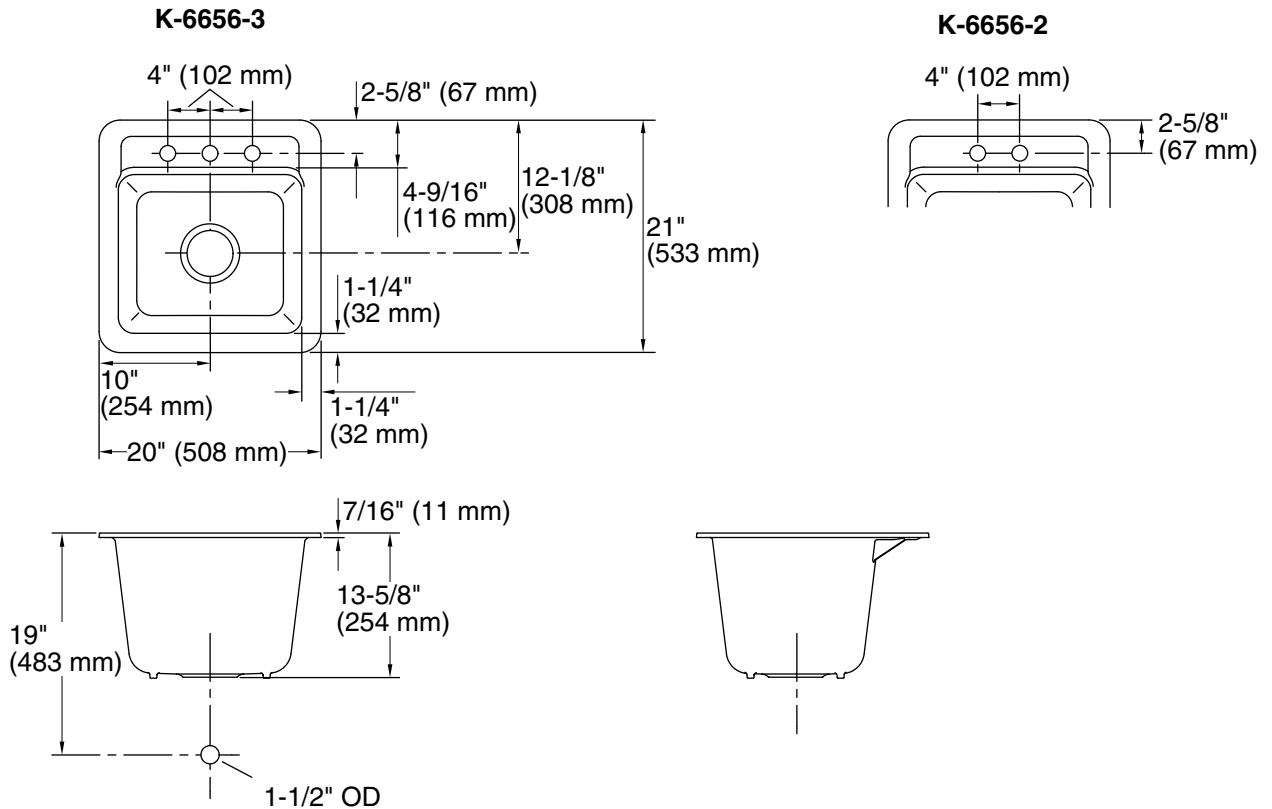
# PARK FALLS™

## Technical Information

Fixture*:	
Bowl area	17-1/2" (445 mm) x 15-1/4" (387 mm)
Water depth	12-1/2" (318 mm)
Drain holes	Ø 3-5/8" (92 mm)
Faucet holes	Ø 1-3/8" (35 mm)
* Approximate measurements for comparison only.	

## Installation Notes

Install this product according to the installation guide.



## Product Diagram