

Features

- KOHLER cast iron
- Acid-resistant enamel finish
- Under-mount
- Single bowl
- Includes mounting hardware
- 12" (305 mm) x 9-1/4" (235 mm)

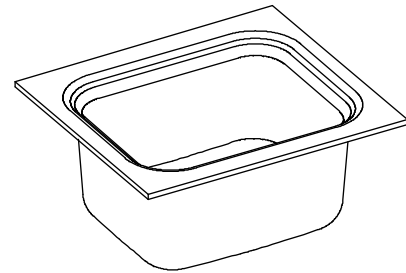
UNDER-MOUNT BAR SINK K-6589-U

ADA

Codes/Standards Applicable

Specified model meets or exceeds the following:

- ADA
- ICC/ANSI A117.1
- ASME A112.19.1/CSA B45.2



Colors/Finishes

- 0: White
- Other: Refer to Price Book for additional colors/finishes

Accessories

- CP: Polished Chrome
- Other: Refer to Price Book for additional colors/finishes

Specified Model

Model	Description	Colors/Finishes	
K-6589-U	Under-mount sink	<input type="checkbox"/> 0	<input type="checkbox"/> Other_____
Optional Accessories			
K-8801	Duostrainer® sink strainer	<input type="checkbox"/> CP	<input type="checkbox"/> Other_____

Product Specification

The bar sink shall be made of cast iron with acid-resistant enamel finish. Sink shall be under-mount. Sink shall be single compartment. Sink shall include mounting hardware. Sink shall be 12" (305 mm) in width and 9-1/4" (235 mm) in length. Sink shall be Kohler Model K-6589-U-_____.

NORTHLAND™

Technical Information

Fixture*:	
Bowl area	12" (305 mm) x 9-1/4" (235 mm)
Water depth	7" (178 mm)
Drain hole	Ø 3-7/8" (98 mm)
* Approximate measurements for comparison only.	
Included component:	
Bowl clamp assembly	52047
Cut-out template	1086707-7

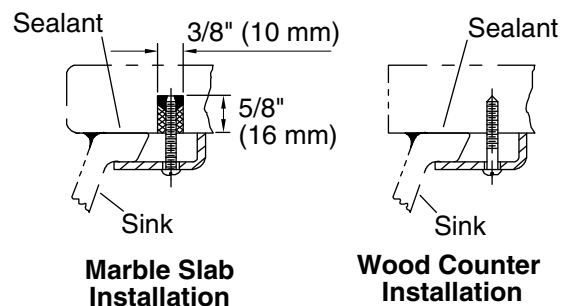
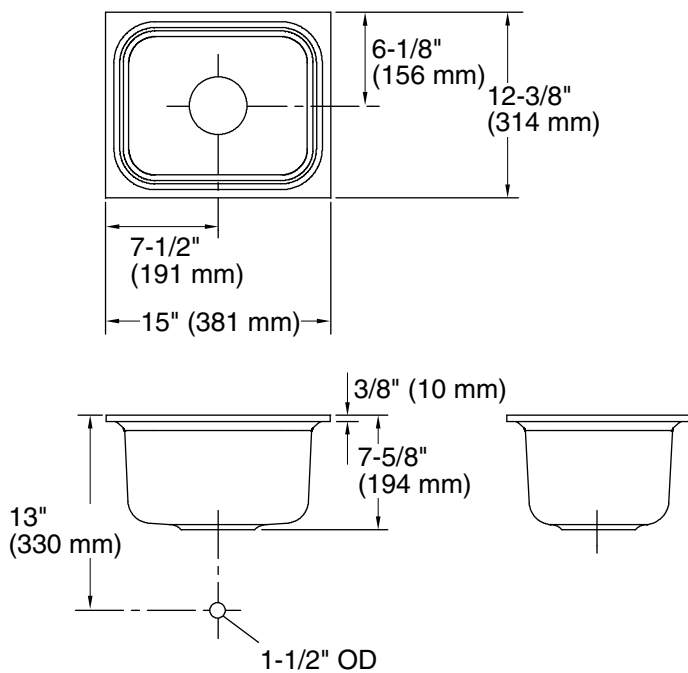
Installation Notes

Install this product according to the installation guide.

Supplied bowl clamp assemblies require 1" (25 mm) minimum countertop thickness. Installer must supply anchors for thinner countertops.

For multiple bowl under-mount installations, a minimum distance of 3-3/8" (86 mm) is required between bowls. Countertop supplier to determine required support.

Will comply with **ADA** when installed per Section 606 exception 1 of the Act.



Note: Waterproof the unprotected overhang area on the underside of a wood counter.

Product Diagram