

### Features

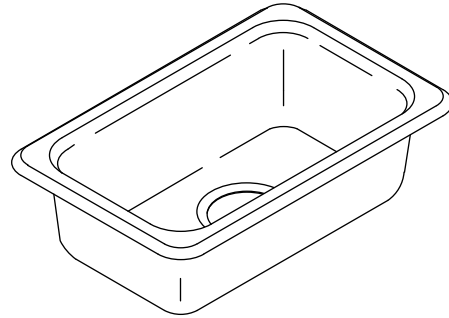
- KOHLER cast iron
- Acid-resistant enamel finish
- Top-mount or under-mount
- Single bowl
- 12" (305 mm) x 18-3/4" (476 mm)

### TOP-MOUNT OR UNDER-MOUNT KITCHEN SINK K-6586

### Codes/Standards Applicable

Specified model meets or exceeds the following:

- ASME A112.19.1/CSA B45.2



### Colors/Finishes

- 0: White
- Other: Refer to Price Book for additional colors/finishes

### Accessories

- CP: Polished Chrome
- Other: Refer to Price Book for additional colors/finishes

### Specified Model

Model	Description	Colors/Finishes	
K-6586	Kitchen sink	<input type="checkbox"/> 0	<input type="checkbox"/> Other _____

Optional Accessories			
K-8801	Duostrainer® sink strainer	<input type="checkbox"/> CP	<input type="checkbox"/> Other _____

### Product Specification

The kitchen sink shall be made of cast iron with acid-resistant enamel finish. Sink shall be top-mount or under-mount with a single bowl. Sink shall be 12" (305 mm) in length and 18-3/4" (476 mm) in width. Sink shall be Kohler Model K-6586-\_\_\_\_\_.

# IRON/TONES™

## Technical Information

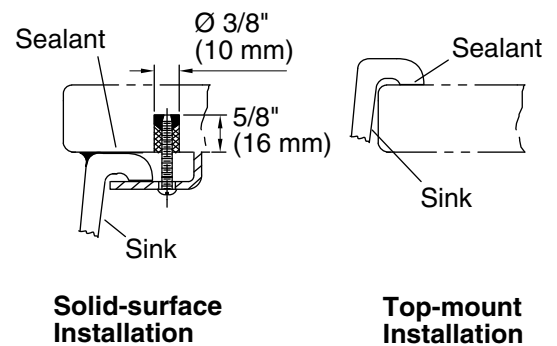
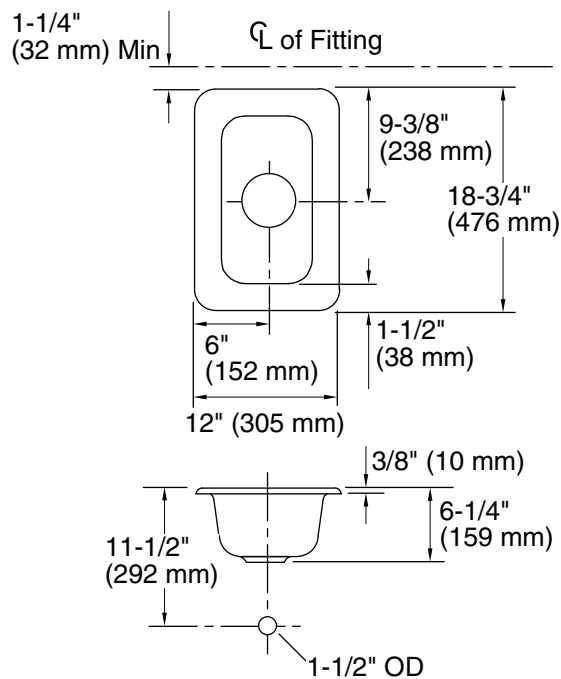
Fixture*:	
Bowl area	9" (229 mm) x 16" (406 mm)
Water depth	5-1/2" (140 mm)
Drain hole	Ø 3-7/8" (98 mm)
* Approximate measurements for comparison only.	

## Installation Notes

Install this product according to the installation guide.

Supplied bowl clamp assemblies require 1" (25 mm) minimum countertop thickness. Installer must supply hardware for thinner countertops.

For multiple bowl under-mount installations, a minimum distance of 3-3/8" (86 mm) is required between bowls. Countertop supplier to determine required support.



## Product Diagram