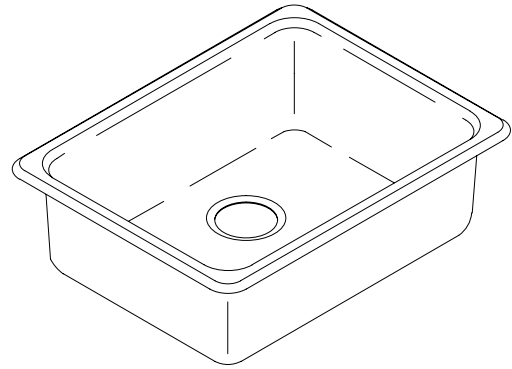


SELF-RIMMING OR UNDERCOUNTER KITCHEN SINK

K-6585

FEATURES

- 24-1/4" (61.6cm) x 18-3/4" (47.6cm) (self-rimming) or 21-1/4" (54cm) x 15-3/4" (40cm) (undercounter mount)
- Cast iron
- Acid resistant enamel finish
- Self-rimming or undercounter mount
- Single compartment



CODES/STANDARDS APPLICABLE

Specified model meets or exceeds the following:

- ASME/ANSI A112.19.1M
- IAPMO/UPC
- Canadian Standards Association (CSA)
- State of Massachusetts

COLORS/FINISHES

- 0 White
- Other Refer to Fixtures Price Book for additional colors

Accessories:

- CP Polished Chrome
- Other Refer to Faucets Price Book for additional finishes
- NA None Applicable

SPECIFIED MODEL:

Model	Description	Colors/Finishes	
K-6585	Kitchen sink	<input type="checkbox"/> 0 White	<input type="checkbox"/> Other_____
Optional Accessories			
K-3294	Hardwood cutting board	<input type="checkbox"/> NA	
K-8801	Duostrainer sink strainer	<input type="checkbox"/> CP	<input type="checkbox"/> Other_____

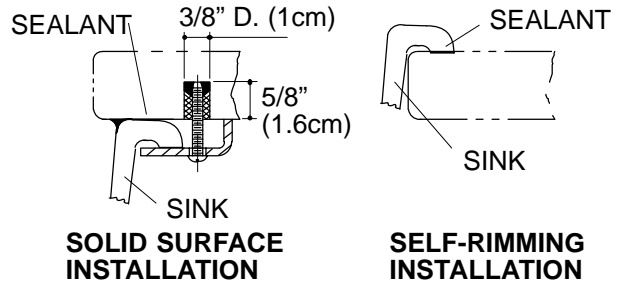
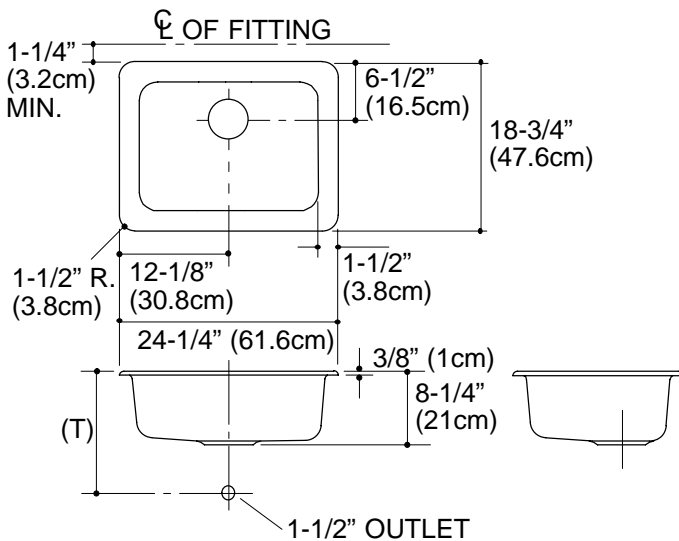
PRODUCT SPECIFICATION:

The self-rimming sink shall be 24-1/4" (61.6cm) in length, and 18-3/4" (47.6cm) in width, or the undercounter mount sink shall be 21-1/4" (54cm) in length, and 15-3/4" (40cm) in width. Sink shall be made of cast iron with acid resistant enamel finish. Sink shall be single compartment. Sink shall be Kohler Model K-6585-_____.

IRON/TONES™

PRODUCT INFORMATION

Fixture*:		basin area	water depth
Sink		21" (53.3cm) x 16" (40.65cm)	7-1/2" (19.1cm)
Outlet	3-7/8" D. (9.8cm)		
* Approximate measurements for comparison only.			
Included Components:			
Basin clamp accessory pack		52047	
Cutout template		114333-7	



Roughing-In Notes

Fixture dimensions are nominal and conform to tolerances in ASME/ANSI Standard A112.19.1M.

(T) Drain typically 13-1/2" (34.3cm).

Supplied basin clamp assemblies require 1" (2.5cm) minimum countertop thickness. Installer must supply hardware for thinner countertops.

For multiple bowl undercounter installations, a minimum distance of 3-3/8" (8.6cm) is required between bowls. Countertop supplier to determine required support.

364

PRODUCT DIAGRAM