

Features

- Freestanding design creates a striking focal point in your bathing area.
- Oval-shaped basin offers a graceful and spacious bathing experience.
- Sloped lumbar support on both ends.
- 17-inch bathing depth offers a deep soaking experience.
- Wide deck along one side simplifies installation and provides support for getting in and out of bath.
- Fluted shroud.
- Textured bottom surface.
- Reversible drain.

Material

- Acrylic

Installation

- Freestanding

Required Accessories

- K-T37391 Bath Cable Drain Trim
- or
- K-T37392 Bath Cable Drain Trim
- or
- K-T37393 Bath Cable Drain Trim
- or
- K-T37394 Bath Cable Drain Trim
- or
- K-T37395 Bath Cable Drain Trim
- or
- K-T37396 Bath Cable Drain Trim



Codes/Standards

CSA B45.5/IAPMO Z124
ASTM E162
ASTM E662



KOHLER® One-Year Limited Warranty

See website for detailed warranty information.

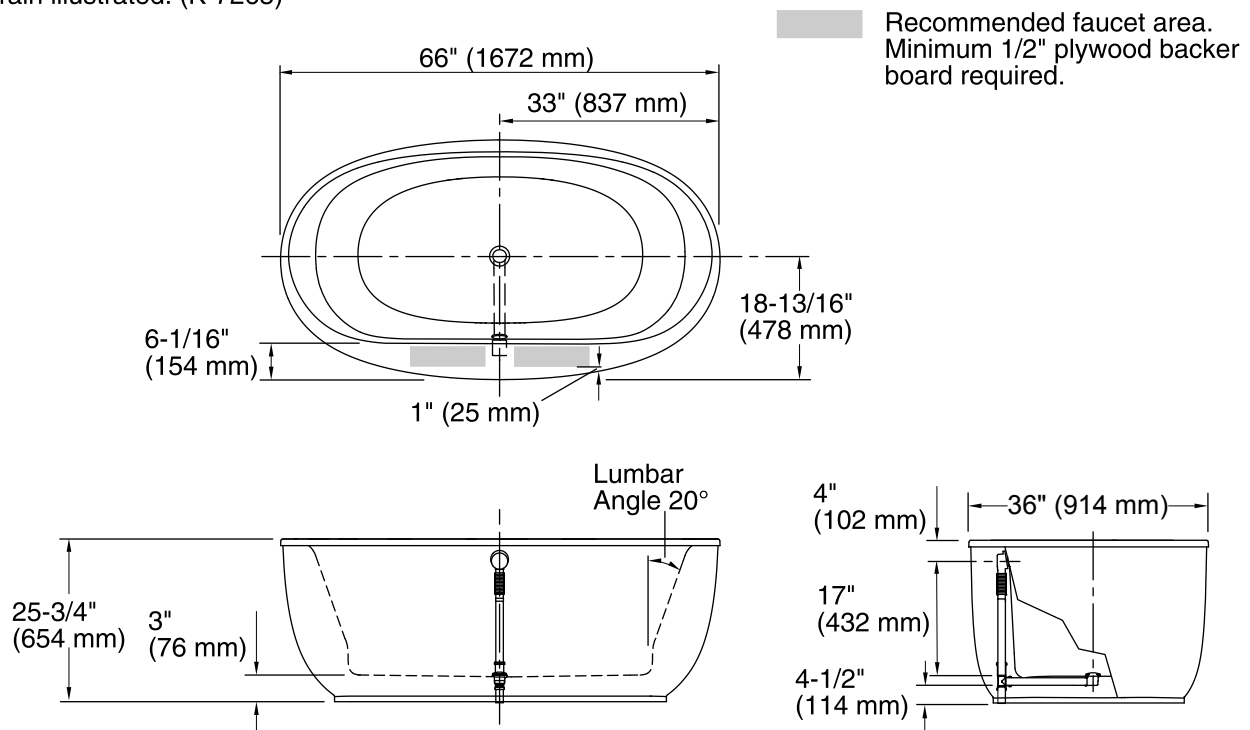
Available Color/Finishes

Color tiles intended for reference only.

Color	Code	Description
-------	------	-------------

- | | | |
|--|----|---------|
|  | 0 | White |
|  | 96 | Biscuit |

No change in measurements if connected with drain illustrated. (K-7265)



Technical Information

All product dimensions are nominal.

Installation:	Freestanding
Drain location:	Reversible
Basin area, bottom:	24-3/4" x 45-1/4" (629 mm x 1149 mm)
Basin area, top:	27-1/4" x 56" (692 mm x 1422 mm)
Weight:	117 lbs (53.1 kg)
Minimum floor load:	80 lbs/ft ² (390.6 kg/m ²)
Water depth:	17" (432 mm)
Water capacity:	88 gal (333.1 L)

Notes

Install this product according to the installation guide.

CAUTION: Risk of personal injury. Obtain sufficient help to carefully lift or move the bath.

This bath is designed for freestanding installation only.

Do not support the load weight of the bath by the rim.

Hot water supply should be 70% of capacity or greater. Installations will vary.

If installing a rim-mount faucet, make sure there is no interference with drain overflow before drilling any holes. Consult local and national codes for minimum air gap requirements if installing a spout on the faucet deck.