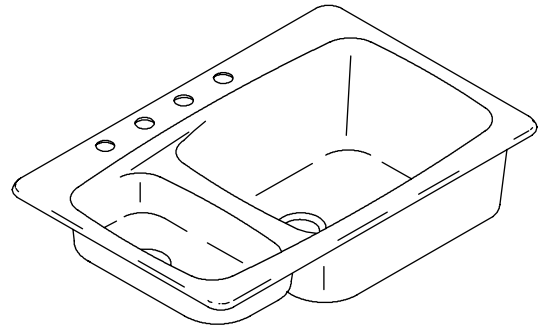


Features

- KOHLER cast iron
- Acid-resistant enamel finish
- Self-rimming
- Double (high/low) compartment
- 5-hole (-5), 4-hole (-4), 3-hole (-3), or 2-hole (-2)
- 33" (83.8 cm) x 22" (55.9 cm)

SELF-RIMMING KITCHEN SINK K-5924



Codes/Standards Applicable

Specified model meets or exceeds the following:

- ASME A112.19.1M
- IAPMO/UPC
- CSA B45

Colors/Finishes

- 0: White
- Other: Refer to Price Book for additional colors/finishes

Accessories:

- CP: Polished Chrome
- NA: None applicable
- Other: Refer to Price Book for additional colors/finishes

Specified Model

Model	Description	Colors/Finishes	
K-5924-5	5-hole sink	<input type="checkbox"/> 0	<input type="checkbox"/> Other_____
K-5924-4	4-hole sink	<input type="checkbox"/> 0	<input type="checkbox"/> Other_____
K-5924-3	3-hole sink	<input type="checkbox"/> 0	<input type="checkbox"/> Other_____
K-5924-2	2-hole sink	<input type="checkbox"/> 0	<input type="checkbox"/> Other_____

Recommended Accessories			
K-9000	P-Trap	<input type="checkbox"/> CP	

Optional Accessories			
K-6011	Bottom basin rack	<input type="checkbox"/> 0	<input type="checkbox"/> Other_____
K-6507	Hardwood cutting board	<input type="checkbox"/> NA	
K-6511	Wire rinse basket	<input type="checkbox"/> 0	<input type="checkbox"/> Other_____
K-8801	Duostrainer® sink strainer	<input type="checkbox"/> CP	<input type="checkbox"/> Other_____

Product Specification

The kitchen sink shall be made of cast iron with acid-resistant enamel finish. Sink shall be self-rimming with double (high/low) compartments. Sink shall be 5-hole (-5), 4-hole (-4), 3-hole (-3), or 2-hole (-2). Sink shall be 33" (83.8 cm) in length and 22" (55.9 cm) in width. Sink shall be Kohler Model K-5924-_____-_____.

LAKEFIELD™

Technical Information

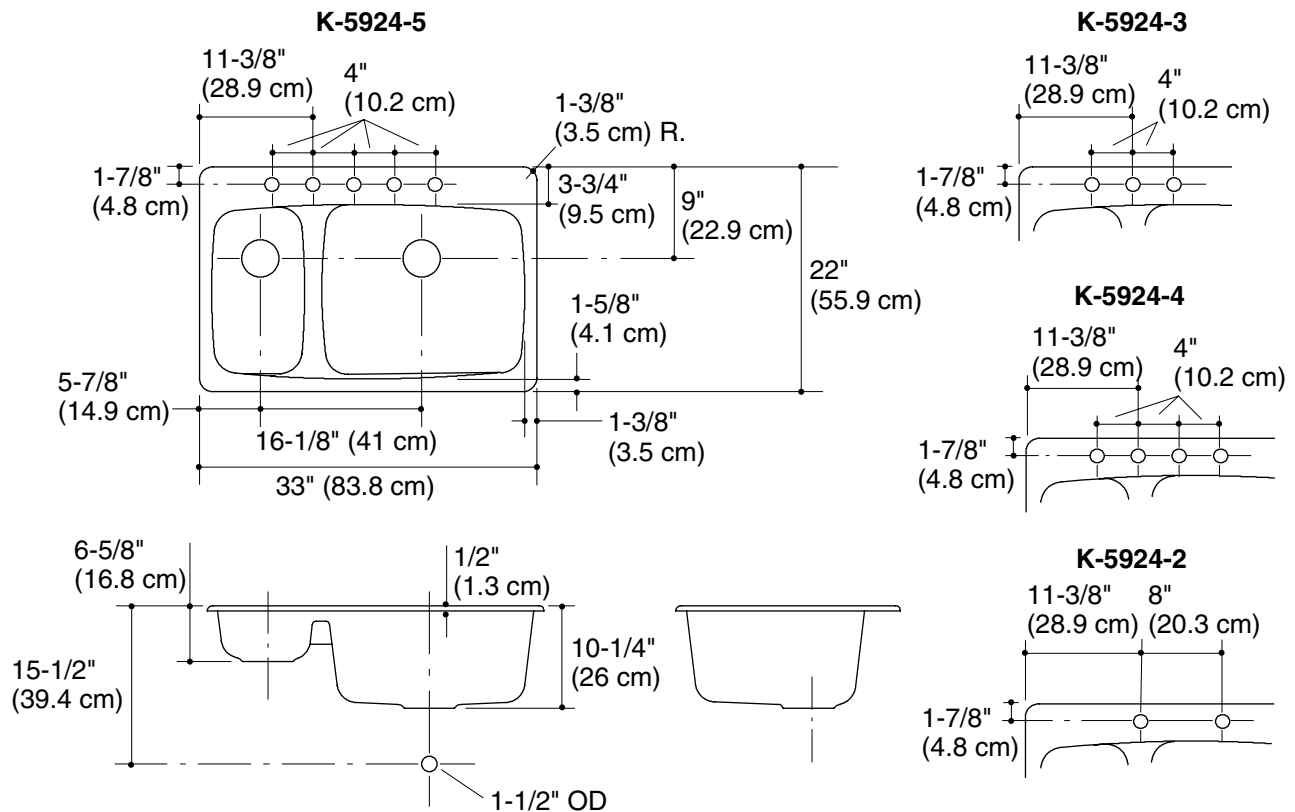
Fixture*:	
Basin area	19" (48.3 cm) x 17" (43.2 cm)
Water depth	8-3/8" (21.3 cm)
Disposal basin area	9" (22.9 cm) x 16" (40.6 cm)
Disposal basin water depth	4-3/4" (12.1 cm)
Drain holes	3-7/8" (9.8 cm) D.
Faucet holes	1-3/8" (3.5 cm) D.
* Approximate measurements for comparison only.	

Installation Notes

Install this product according to the installation guide.

For disposal unit, consult disposal supplier for roughing-in measurements.

Cutout is 31-7/8" (81 cm) by 20-3/4" (52.7 cm) with 1-1/2" (3.8 cm) radius corners.



Product Diagram