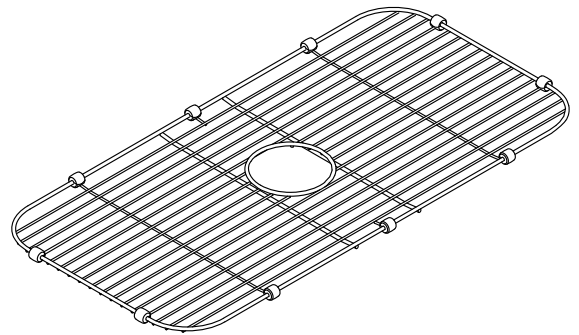


### Features

- Included with the K-5290-HCF-NA Undertone Preserve™ sink.
- Fits in the K-5290-NA Undertone sink.
- Durable stainless steel construction.
- Dishwasher safe.
- Rubber bumpers provide added protection.



### Codes/Standards


None Applicable

### KOHLER® One-Year Limited Warranty

See website for detailed warranty information.

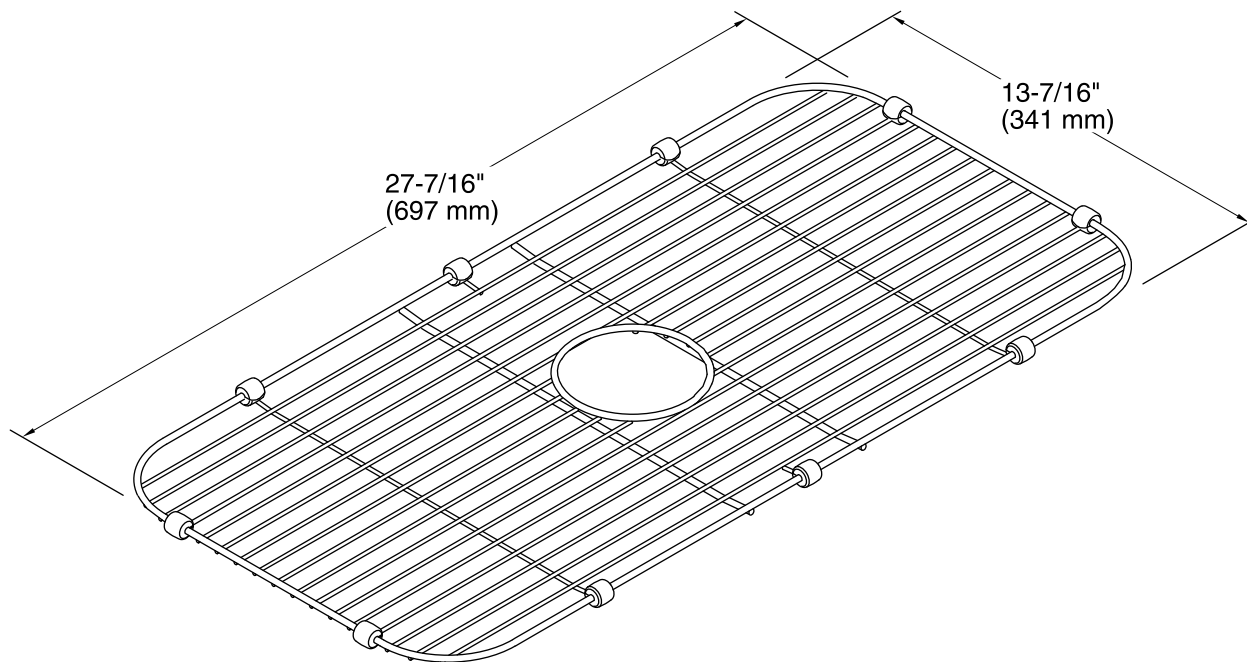
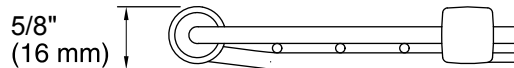
### Available Color/Finishes

*Color tiles intended for reference only.*

Color	Code	Description
	ST	Stainless Steel

# KOHLER®

## Undertone® Stainless Steel Sink Rack K-5474



### Technical Information

All product dimensions are nominal.