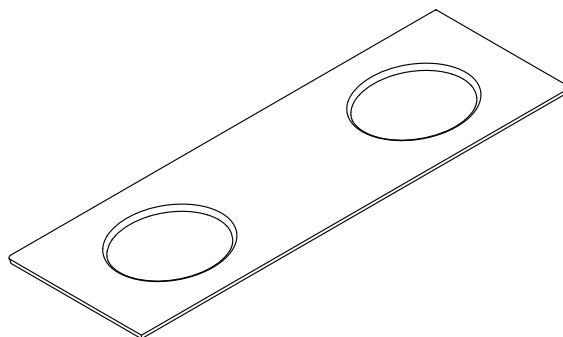


## Features

- Solid Surface
- Pilot holes for 8" (203 mm) widespread, 4" (102 mm) centerset, or single faucet
- 73-5/8" (1870 mm) x 22-13/16" (579 mm)
- Pre-cut for Verticyl® (K-2881) or other 17" (432 mm) x 14" (356 mm) oval under-mount bathroom sinks (required)

## Components

Additional included component/s: Mounting Screws.



## Codes/Standards

None Applicable

## KOHLER® One-Year Limited Warranty

See website for detailed warranty information.

## Available Color/Finishes

*Color tiles intended for reference only.*

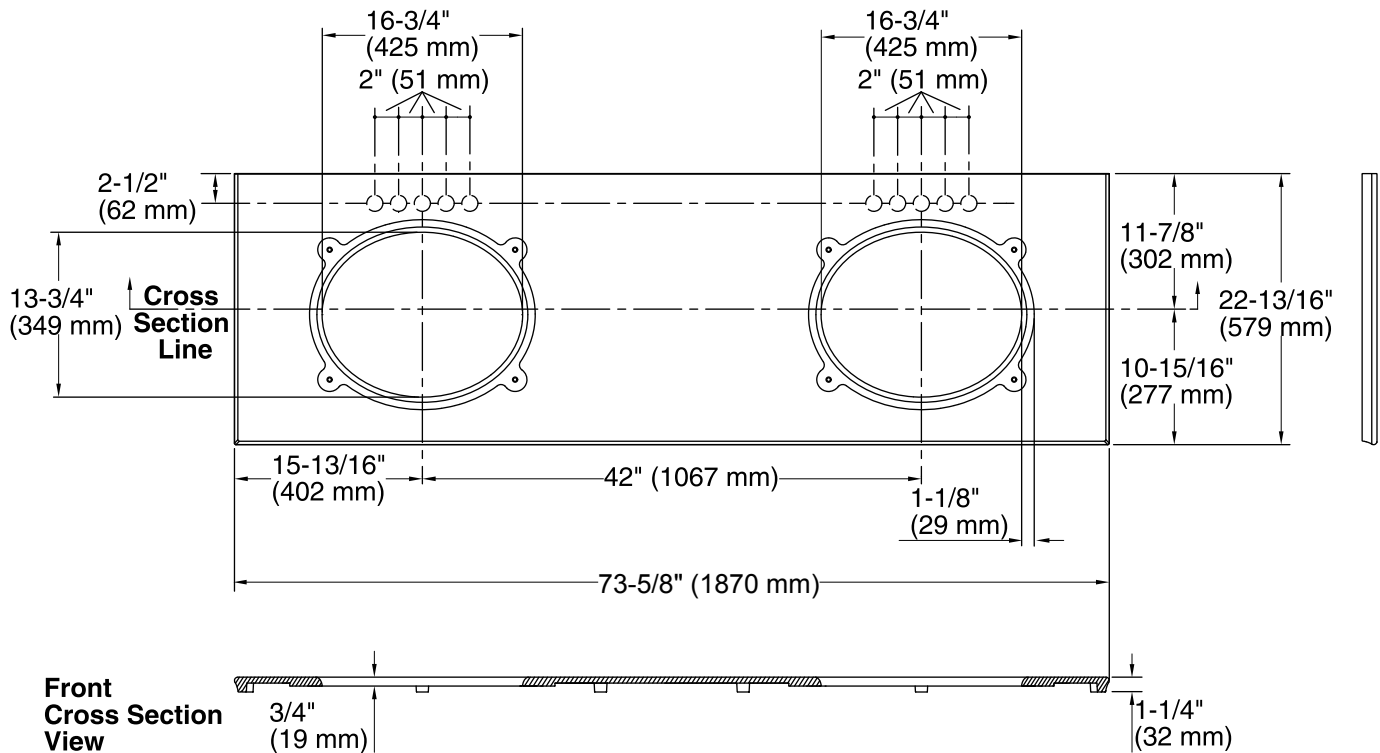
Color	Code	Description
-------	------	-------------

S33

S34

S35

S36



### Technical Information

All product dimensions are nominal.

Bowl configuration: Double equal

Installation: Vanity top

Bowl area (Left) Length: 16-3/4" (425 mm)

Width: 13-3/4" (349 mm)

Bowl area (Right) Length: 16-3/4" (425 mm)

Width: 13-3/4" (349 mm)

### Notes

Install this product according to the installation guide.

Observe all local plumbing and building codes.

This countertop is designed to be installed with a KOHLER or standard-size vanity.

Faucet hole and sink-mounting locations are marked on the underside of the countertop.