

Features

- KOHLER enameled cast iron
- Drop-in or under-mount installation
- With overflow



ADA

Codes/Standards

ASME A112.19.1/CSA B45.2

ADA

ICC/ANSI A117.1




KOHLER® Lifetime Limited Warranty for Cast Iron Components

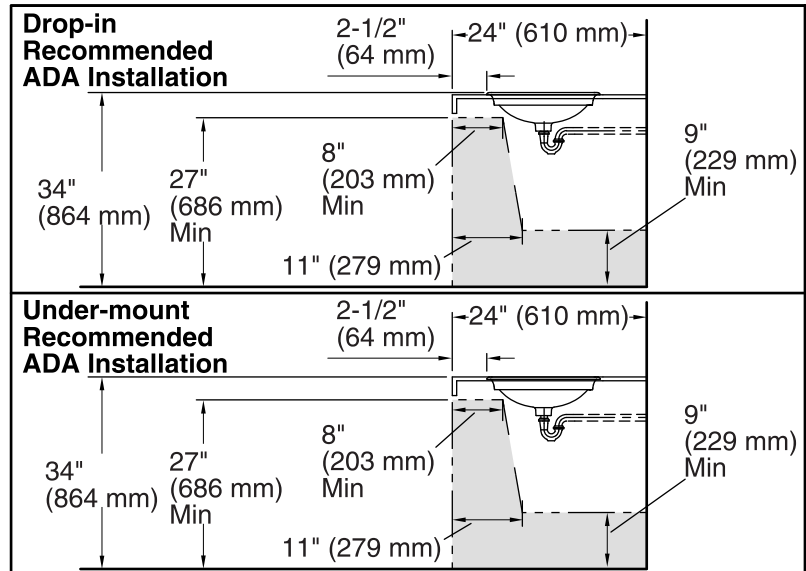
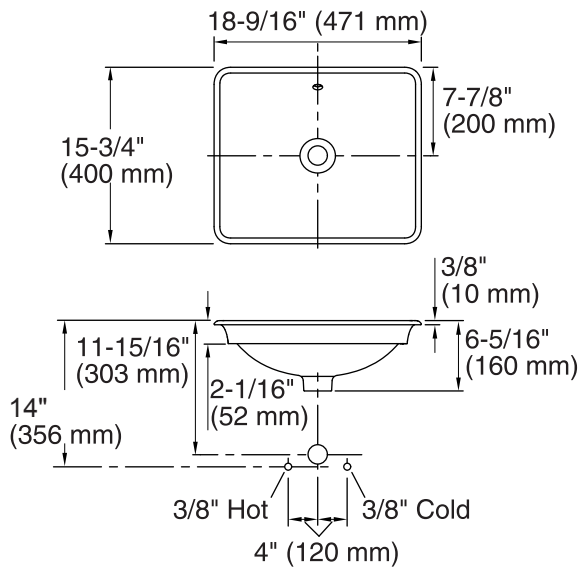
See website for detailed warranty information.

Available Color/Finishes

Color tiles intended for reference only.

Color	Code	Description
-------	------	-------------

	0	White
	K4	Cashmere
	7	Black Black™



Technical Information

All product dimensions are nominal.

Bowl configuration:	Single
Installation:	Drop-In, Under-mount
Bowl area (Only)	Length: 17-1/2" (445 mm) Width: 14-3/4" (375 mm) Bowl depth: 4-9/16" (116 mm) Water depth: 2-15/16" (74 mm)
Template:	Drop-in, 1222632-7, required, included Under-mount, 1222632-7, required, included
Under-mount kit:	Clamp Accessory Pack 52047

Notes

Install this product according to the installation guide.

NOTICE: Countertop manufacturer or cutter must use the cut-out template provided with the product, or a current one provided by Kohler Co. (call 1-800-4-KOHLER). Kohler Co. is not responsible for cutout errors when the incorrect cut-out template is used.

ADA compliant when installed to the specific requirements of these regulations.