

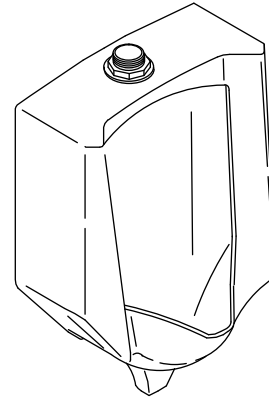
Features

- Vitreous china
- Blow-out
- 1-1/4" top spud
- 1.0 gpf (3.8 lpf)

Codes/Standards Applicable

Specified model meets or exceeds the following:

- ADA
- ICC/ANSI A117.1
- ASME A112.19.2/CSA B45.1



Colors/Finishes

- 0: White
- Other: Refer to Price Book for additional colors/finishes

Accessories

- 0: White
- CP: Polished Chrome
- Other: Refer to Price Book for additional colors/finishes

Specified Model

Model	Description	Colors/Finishes	
K-4972-ET	1-1/4" top spud urinal	<input type="checkbox"/> 0	<input type="checkbox"/> Other_____
Recommended Accessories			
K-10959	Touchless DC blowout urinal flushometer – 1.0 gpf (3.8 lpf)	<input type="checkbox"/> CP	
K-13522	Manual blowout urinal flushometer – 1.0 gpf (3.8 lpf)	<input type="checkbox"/> CP	
Optional Accessories			
18763	1-1/4" replacement spud	<input type="checkbox"/> 0	<input type="checkbox"/> Other_____

Product Specification

The blow-out urinal shall be made of vitreous china with a 1-1/4" top spud. Urinal shall use 1.0 gpf (3.8 lpf). Urinal shall be Kohler Model K-4972-ET-_____.

STANWELL™

Technical Information

Fixture:	
Configuration	Top spud
Water per flush	1.0 gal (3.8 L)*
Spud inlet size	1-1/4"
Minimum running pressure required	25 psi (172.4 kPa)
* Designed to flush with 1.0 gal (3.8 L) of water when installed with a water-saving flushometer.	

Included components:	
1-1/4" inlet spud	18759
2" outlet spud	18766
Hanger (2 required)	64512
5/8" drain plug	21403

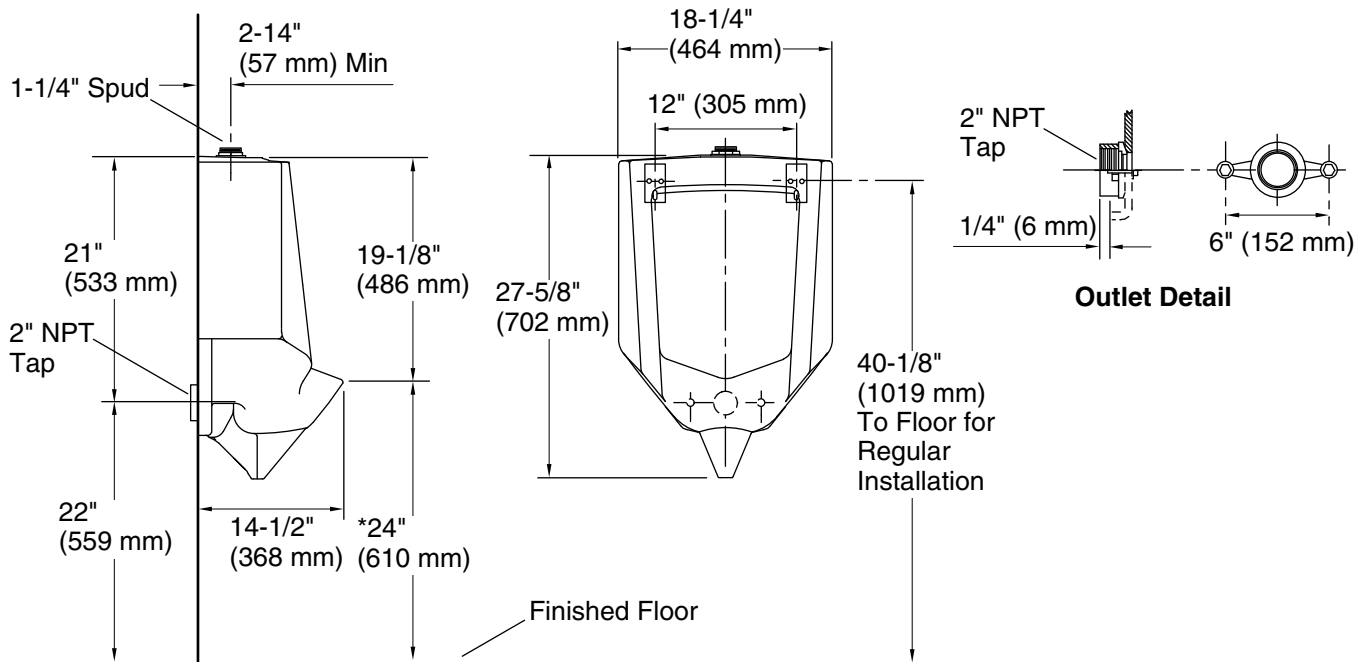
Installation Notes

Install this product according to the installation guide.

Refer to manufacturer's instructions and local codes for flushometer requirements.

Will comply with **ADA** when installed per Section 605 Urinals of the Act.

*Urinal complies with ADA requirement when rim is mounted no higher than 17" (432 mm) from finished floor.



Product Diagram