

### Features

- Vitreous china.
- Washout flushing action.
- 3/4" top spud.
- 14-1/8" (359 mm) extended rim.
- 0.125 gpf (0.47 lpf) to 1.0 gpf (3.8 lpf).
- WaterSense® compliant when used with WaterSense flushometer.
- Will replace K-4960-ET urinal.
- 26-7/8" (683 mm) x 18" (457 mm) x 14-1/8" (359 mm)

### Recommended Accessories

- K-10668 WaterSense® 0.125 gpf Exposed Flushometer
- K-10949 WaterSense® 0.125 gpf Exposed Flushometer
- K-13520 WaterSense® 0.125 gpf Exposed Flushometer
- K-10675 WaterSense® 0.5 gpf Exposed Flushometer
- K-10958 WaterSense® 0.5 gpf Exposed Flushometer
- K-13519 0.5 gpf Exposed Flushometer
- K-10676 1.0 gpf Exposed Flushometer
- K-10960 1.0 gpf Exposed Flushometer
- K-13518 1.0 gpf Exposed Flushometer

### Components

Additional included component/s: 3/4" inlet spud, 2" outlet spud, Strainer, and Hangers (2).



ADA

### Codes/Standards





ASME A112.19.2/CSA B45.1  
EPA WaterSense®  
ADA  
ICC/ANSI A117.1

### KOHLER® One-Year Limited Warranty

See website for detailed warranty information.

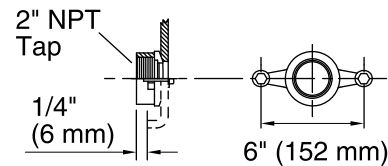
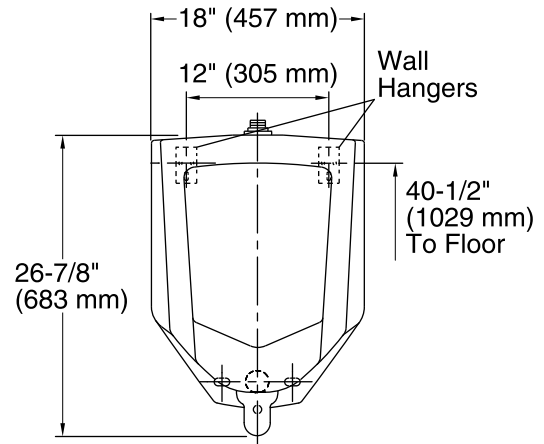
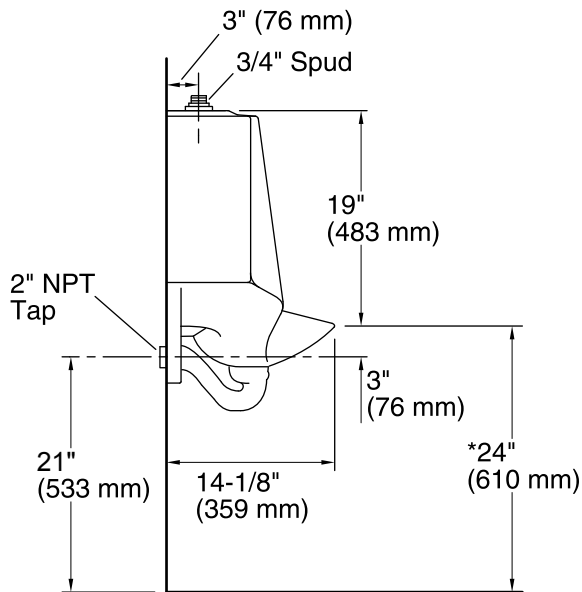
### Available Color/Finishes

*Color tiles intended for reference only.*

Color	Code	Description
	0	White
	96	Biscuit
	47	Almond
	7	Black Black™

\*Urinal complies with ADA requirements when rim is mounted no higher than 17" (432 mm) from finished floor.

\*Urinal complies with CSA B651 when rim is mounted no higher than 16-7/8" (430 mm) from finished floor.



**Spud Detail**

### Technical Information

All product dimensions are nominal.

Spud size: 3/4"

### Notes

Install this product according to the installation guide.

ADA compliant when installed to the specific requirements of these regulations.