

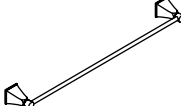

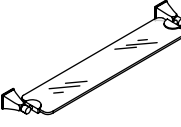
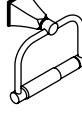
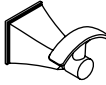
**Features**

- Metal construction
- Includes installation hardware
- Complements the Memoirs Stately Suite

**Colors/Finishes**

- CP: Polished Chrome
- Other: Refer to Price Book for additional colors/finishes

**Specified Model**

Model	Description		Colors/Finishes	
K-485	18" (45.7 cm) Towel bar		<input type="checkbox"/> CP	<input type="checkbox"/> Other _____
K-486	24" (61 cm) Towel bar		<input type="checkbox"/> CP	<input type="checkbox"/> Other _____
K-487	Towel ring		<input type="checkbox"/> CP	<input type="checkbox"/> Other _____
K-488	Glass shelf		<input type="checkbox"/> CP	<input type="checkbox"/> Other _____
K-490	Toilet tissue holder		<input type="checkbox"/> CP	<input type="checkbox"/> Other _____
K-492	Robe hook		<input type="checkbox"/> CP	<input type="checkbox"/> Other _____

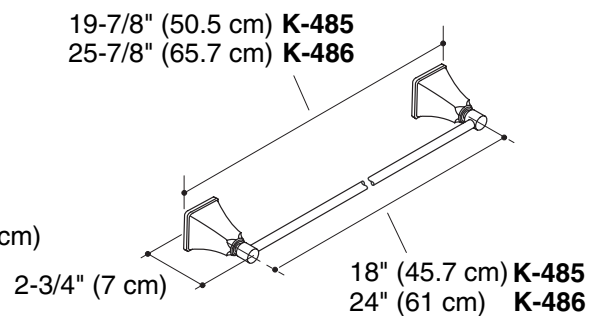
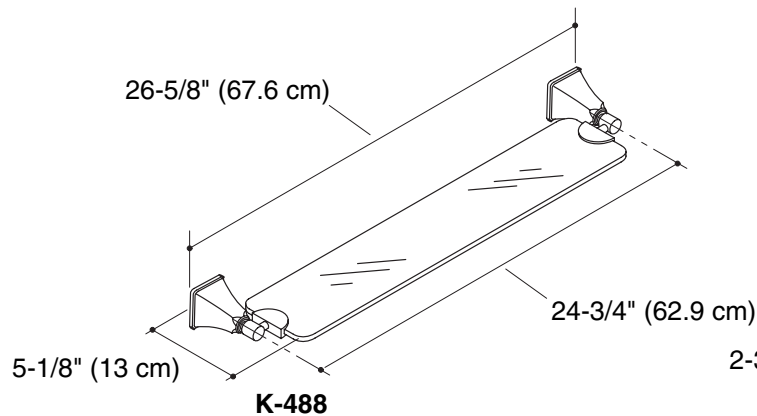
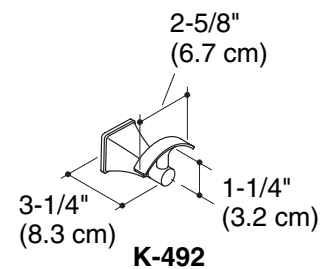
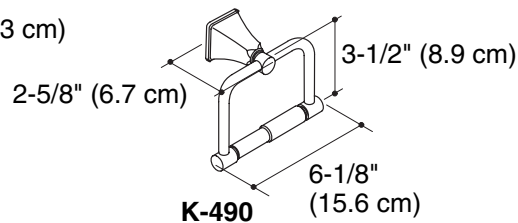
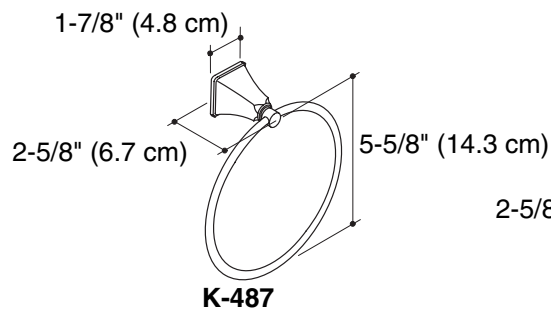
**Product Specification**

The accessory shall be of metal construction. Accessory shall include installation hardware. Accessory shall complement the Memoirs Classic Suite. Accessory shall be Kohler Model K-\_\_\_\_\_-\_\_\_\_\_.

# MEMOIRS® STATELY

## Installation Notes

Install all products according to the installation guide.



## Product Diagram