

Product Information

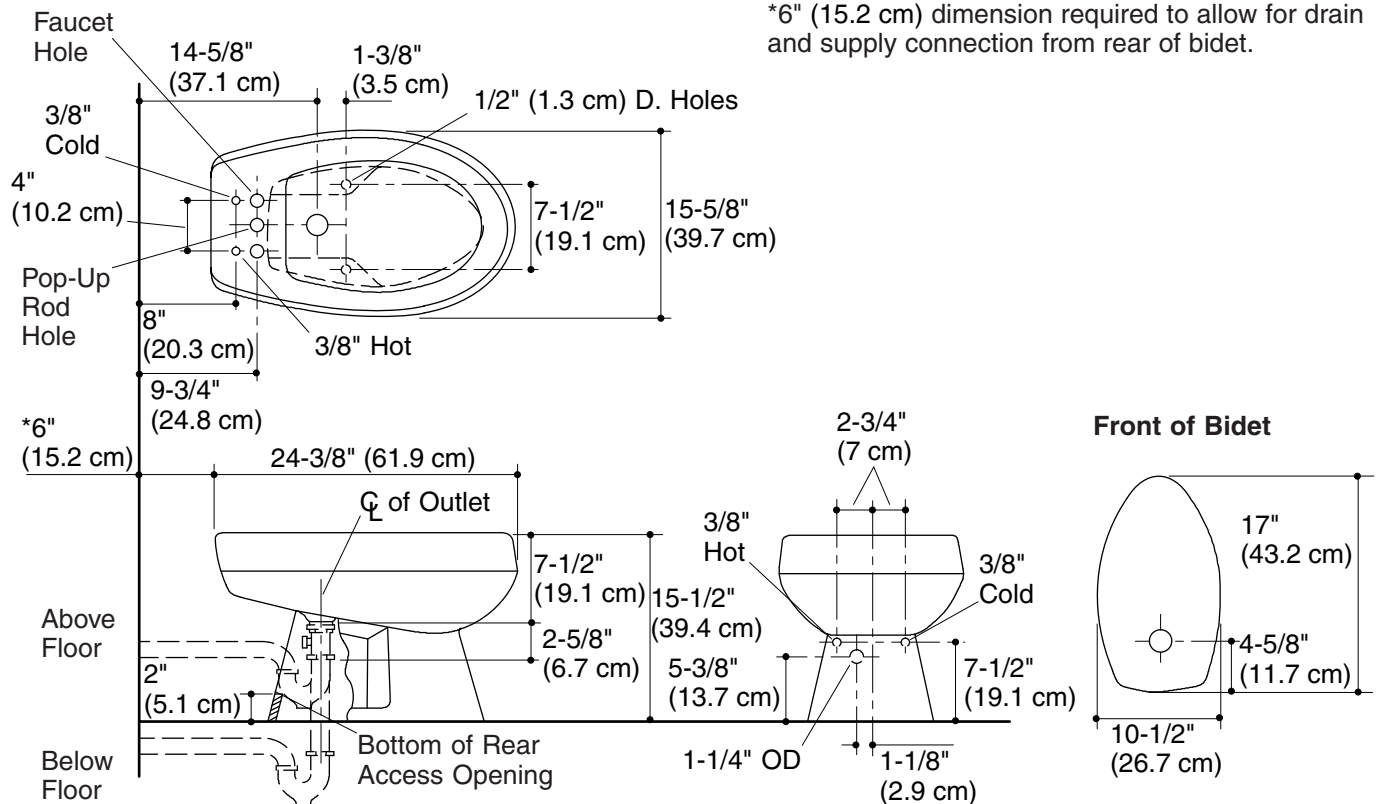
Applicable product:	
Bidet	K-4864
Fixture:	
Configuration	Faucet deck
Drain hole	1-3/4" (4.4 cm) D.
Faucet hole	1-3/16" (3 cm) D.
Pop-up rod hole	1-3/16" (3 cm) D.
Recommended accessories:	
Taboret® LX faucet OR	K-8240
Taboret® base faucet OR	K-8240-K
Coralais® base faucet OR	K-15894-K
Revival® faucet	K-16131
P-Trap	K-9018
Included components:	
Floor screws and cap bolts	52049

Installation Notes

Install this product according to the installation guide.

Install trap in drain line below floor.

Fixture dimensions are nominal and conform to tolerances in ASME Standard A112.19.2.



*6" (15.2 cm) dimension required to allow for drain and supply connection from rear of bidet.