

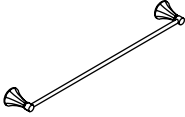

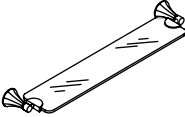


Features

- Metal construction
- Includes installation hardware
- Complements the Memoirs Classic Suite

Colors/Finishes

- CP: Polished Chrome
- Other: Refer to Price Book for additional colors/finishes

Specified Model

Model	Description		Colors/Finishes	
K-475	18" (45.7 cm) Towel bar		<input type="checkbox"/> CP	<input type="checkbox"/> Other _____
K-476	24" (61 cm) Towel bar		<input type="checkbox"/> CP	<input type="checkbox"/> Other _____
K-477	Towel ring		<input type="checkbox"/> CP	<input type="checkbox"/> Other _____
K-478	Glass shelf		<input type="checkbox"/> CP	<input type="checkbox"/> Other _____
K-480	Toilet tissue holder		<input type="checkbox"/> CP	<input type="checkbox"/> Other _____
K-482	Robe hook		<input type="checkbox"/> CP	<input type="checkbox"/> Other _____

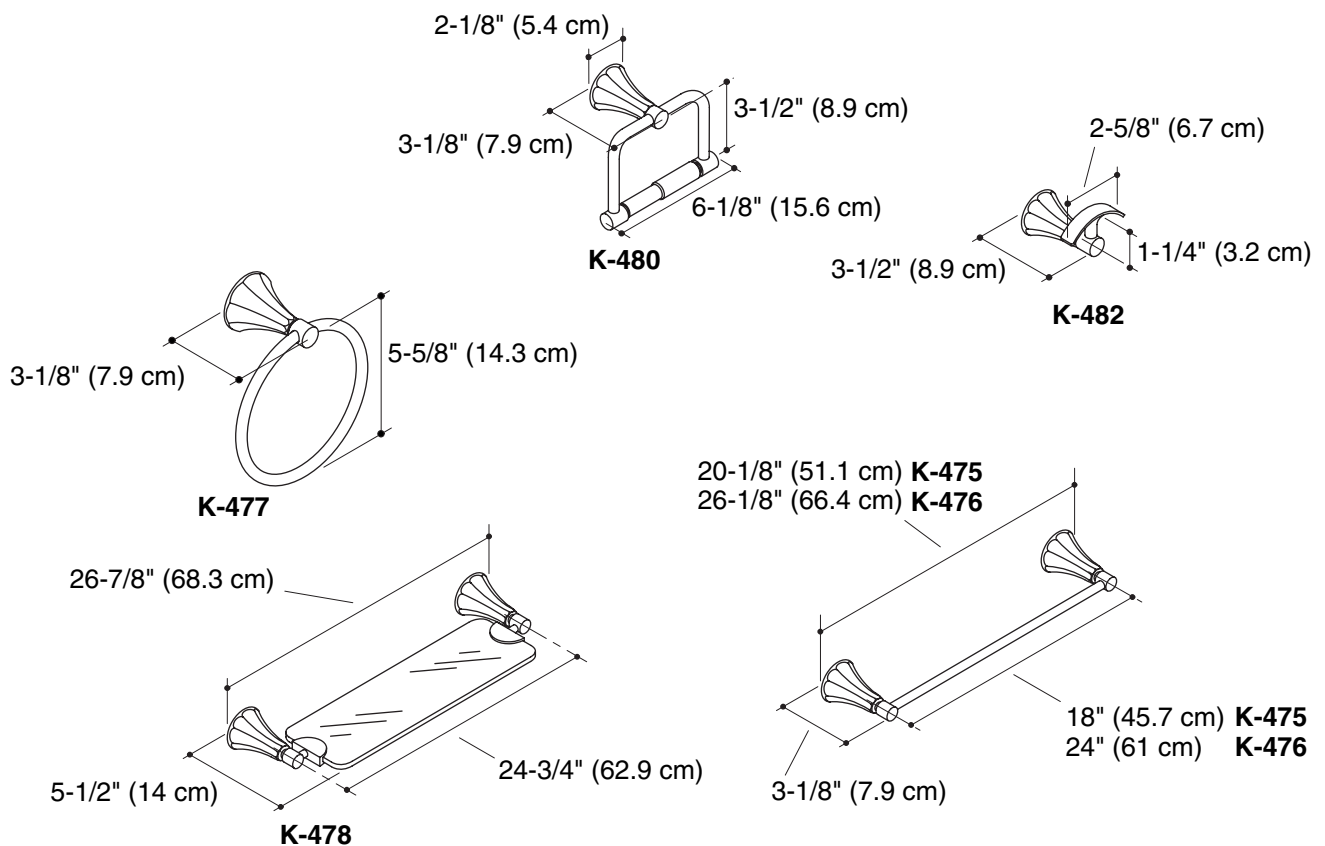
Product Specification

The accessory shall be of metal construction. Accessory shall include installation hardware. Accessory shall complement the Memoirs Classic Suite. Accessory shall be Kohler Model K-_____-_____.

MEMOIRS® CLASSIC

Installation Notes

Install this product according to the installation guide.



Product Diagram