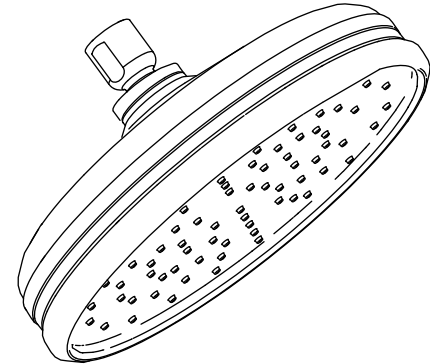


TRADITIONAL ROUND

**RAIN SHOWERHEAD
K-45202**

Features

- Single-function Rain showerhead
- 2.0 gal/min (7.6 l/min) flow rate
- *Katalyst™ Spray Technology with air induction ball joint (patent pending)*
- *Optimized sprayface for maximum performance*
- *MasterClean™ spray nozzles prohibit mineral buildup for easy cleaning*
- Solid brass construction
- 1/2"-14 NPT connection



Codes/Standards Applicable

Specified model meets or exceeds the following:

- ASME A112.18.1/CSA B125.1
- Energy Policy Act of 1992

Colors/Finishes

- CP: Polished Chrome
- Other: Refer to Price Book for additional colors/finishes

Accessories

- CP: Polished Chrome
- Other: Refer to Price Book for additional colors/finishes

Specified Model

Model	Description	Size	Nozzles	Colors/Finishes	
K-45202	Rain showerhead	8-7/16" (214 mm)	78	<input type="checkbox"/> CP	<input type="checkbox"/> Other____
Optional Accessories					
K-7392	12" (305 mm) straight ceiling-mount shower arm and flange			<input type="checkbox"/> CP	<input type="checkbox"/> Other____
K-7394	6" (152 mm) straight ceiling-mount shower arm and flange			<input type="checkbox"/> CP	<input type="checkbox"/> Other____
K-7396	3" (76 mm) straight ceiling-mount shower arm and flange			<input type="checkbox"/> CP	<input type="checkbox"/> Other____
K-10124	Right-angle shower arm and flange			<input type="checkbox"/> CP	<input type="checkbox"/> Other____

Product Specification

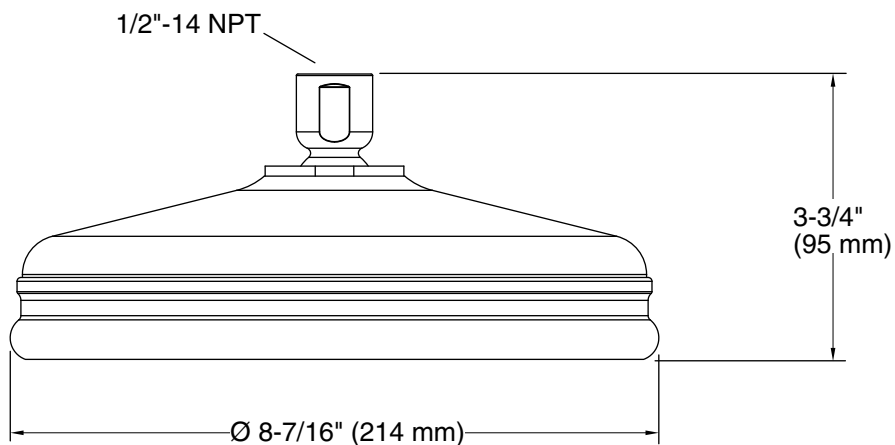
The single-function Rain showerhead shall have a 2.0 gal/min (7.6 l/min) flow rate. Showerhead shall have Katalyst Spray Technology with air induction ball joint (patent pending) and optimized sprayface for maximum performance. Showerhead shall have MasterClean spray nozzles to prohibit mineral buildup for easy cleaning and shall be made of solid brass construction. Showerhead shall have a 1/2"-14 NPT connection. Showerhead shall be Kohler Model K-45202-_____.

TRADITIONAL ROUND

Installation Notes

Install this product according to the installation guide.

NOTICE: To ensure your valve will provide safety at the lowest flow rates, choose an automatic compensating valve with the appropriate minimum flow rating. For a showerhead rated at 2.0 gal/min (7.6 l/min) maximum, use with an automatic compensating valve rated at 1.6 gal/min (6.1 l/min) or less.



Product Diagram