

**CENTERSET LAVATORY FAUCET
K-45100**

Features

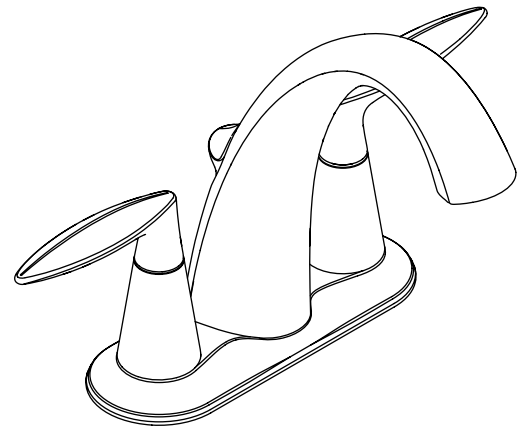
- Metal construction
- Quarter-turn washerless ceramic disc valves
- For 4" (10.2 cm) centers
- ADA compliant lever handle
- Pop-up drain with tailpiece
- 5" (12.7 cm) spout reach
- 1.5 gpm (5.7 lpm) maximum flow rate
- Integrated supply hoses with 3/8" compression connection



Codes/Standards Applicable

Specified model meets or exceeds the following at date of manufacture:

- ADA
- ASME A112.18.1/CSA B125.1
- ICC/ANSI A117.1
- NSF 61
- All applicable US Federal and State material regulations
- EPA WaterSense®



Colors/Finishes

- CP: Polished Chrome
- Other: Refer to Price Book for additional colors/finishes

Specified Model:

Model	Description	Color/Finish	
K-45100-4	Centerset lavatory faucet	<input type="checkbox"/> CP	<input type="checkbox"/> Other _____

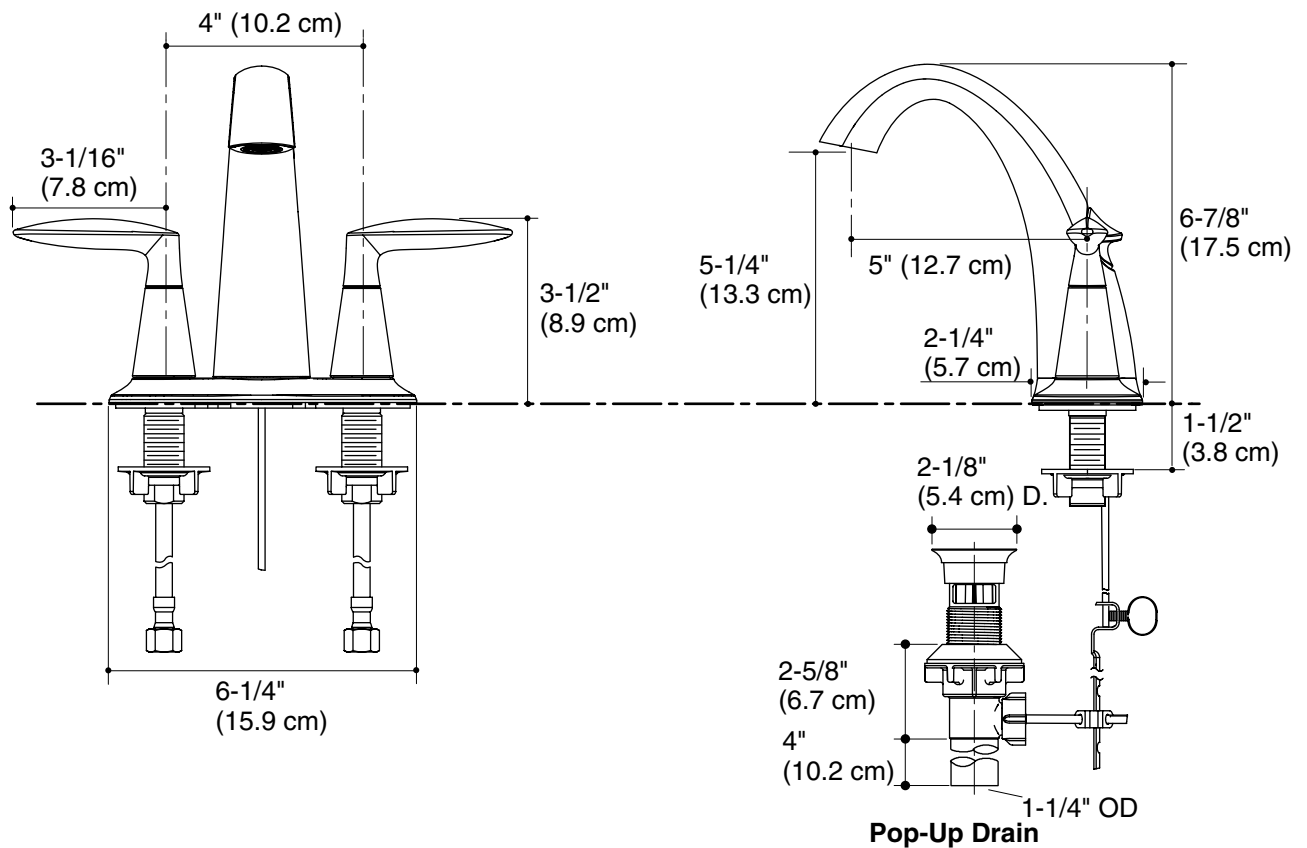
PRODUCT SPECIFICATION

The centerset lavatory faucet shall be made of metal construction. Product shall have integrated supply hoses with 3/8" compression connection. Product shall have a 1.5 gallons (5.7 L) per minute maximum flow rate. Product shall feature quarter-turn washerless ceramic disc valves. Product shall be for 4" (10.2 cm) centers. Product shall feature a 5" (12.7 cm) spout reach, a pop-up drain with tailpiece, and ADA compliant lever handles. Faucet shall be Kohler Model K-45100-_____.

ALTEO™

Installation Notes

Install this faucet following the installation instructions provided.



Product Diagram