

ELONGATED TOILET BOWL K-4367

ADA

Features

- Vitreous china
- Elongated bowl
- 1-1/2" rear spud
- 11" (279 mm) minimum rough-in
- 11-3/8" (289 mm) x 10-3/8" (264 mm) water area
- 2-1/4" (57 mm) passageway
- With bedpan lugs (-L)
- 1.28 gpf (4.8 lpf) or 1.6 gpf (6.0 lpf) depending on flushometer specified
- 26" (660 mm) x 14-1/2" (368 mm) x 17-1/2" (445 mm)



Codes/Standards Applicable

Specified model meets or exceeds the following:

- ADA
- ASME A112.19.2/CSA B45.1
- ICC/ANSI A117.1

Colors/Finishes

- 0: White
- Other: Refer to Price Book for additional colors/finishes

Accessories:

- 0: White
- Other: Refer to Price Book for additional colors/finishes

Specified Model

Model	Description	Colors/Finishes	
K-4367	Elongated toilet bowl	<input type="checkbox"/> 0	<input type="checkbox"/> Other _____
K-4367-L	Elongated toilet bowl - with bedpan lugs	<input type="checkbox"/> 0	<input type="checkbox"/> Other _____

Recommended Accessories			
K-4670-C	Lustra™ open front seat	<input type="checkbox"/> 0	<input type="checkbox"/> Other _____
K-4670-CA	Lustra open front seat with anti-microbial agent	<input type="checkbox"/> 0	
21401	Floor bolts (pair)		

Product Specification

The elongated toilet bowl shall be made of vitreous china. Bowl shall be 26" (660 mm) in length, 14-1/2" (368 mm) in width, and 17-1/2" (445 mm) in height. Bowl shall have 11-3/8" (289 mm) by 10-3/8" (264 mm) water area. Bowl shall be 11" (279 mm) minimum rough-in with a 1-1/2" rear spud. Bowl shall be 1.28 gpf (4.8 lpf) or 1.6 gpf (6 lpf) depending on flushometer specified. Bowl shall have 2-1/4" (57 mm) passageway. Bowl shall have optional bedpan lugs (-L). Elongated toilet bowl shall be Kohler Model K-4367-_____ or K-4367-L-_____.

HIGHCLIFF™

Technical Information

Fixture:	
Configuration	rear spud, elongated
Water per flush	1.28 gpf (4.8 lpf) or 1.6 gpf (6.0 lpf)*
Spud size	1-1/2"
Passageway	2-1/4" (57 mm)
Water area	11-3/8" (289 mm) x 10-3/8" (264 mm)
Water depth from rim	6" (152 mm)
Seat post hole centers	5-1/2" (140 mm)
Minimum static pressure required	35 psi (241.3 kPa)
Maximum static pressure	80 psi (551.6 kPa)
Minimum flowing pressure required	25 psi (172.4 kPa)
Required supply minimum	25 gal/min (94.6 l/min)
* Based upon use of a 1.28 gal (4.8 L) or 1.6 gal (6.0 L) flushometer.	

Included components:	
Spud	18357
Bolt cap accessory pack	52048

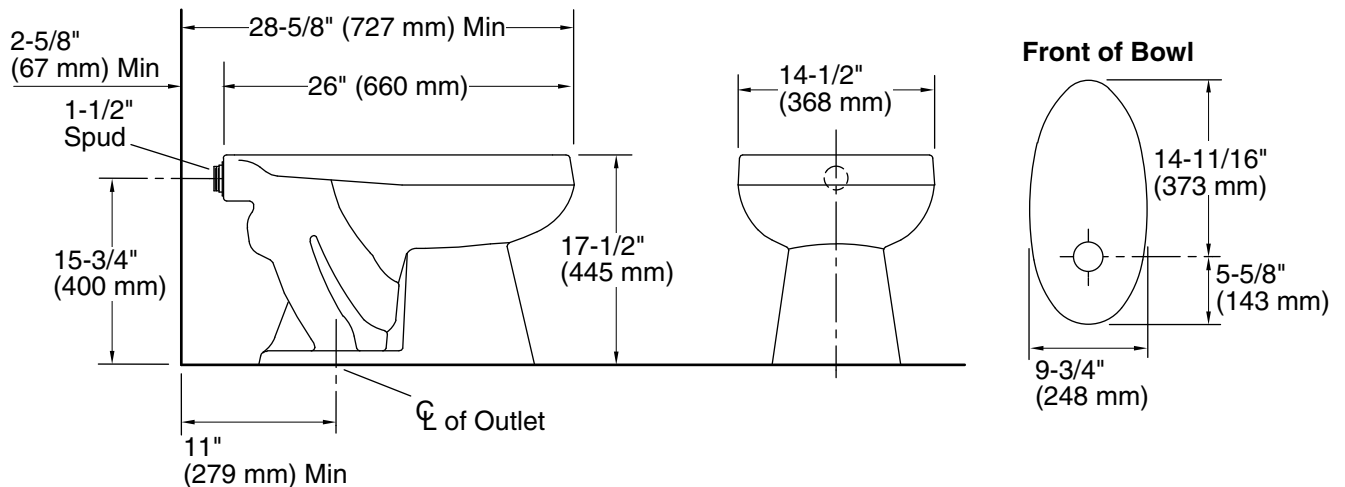
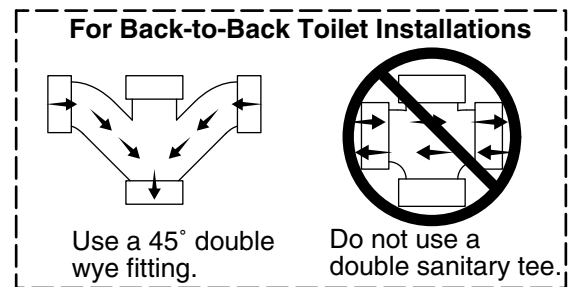
Installation Notes

Install this product according to the installation guide.

Refer to manufacturer and local codes for flushometer requirements.

For back-to-back toilet installations: Use only a 45° double wye fitting.

Will comply with the Americans with Disabilities Act (**ADA**) when installed per the requirements of the 2010 ADA Standards for Accessible Design, Section 604 Water Closets, of the Act. The Model Plumbing Codes require the installation of elongated open-front toilet seats in public bathrooms.



Product Diagram