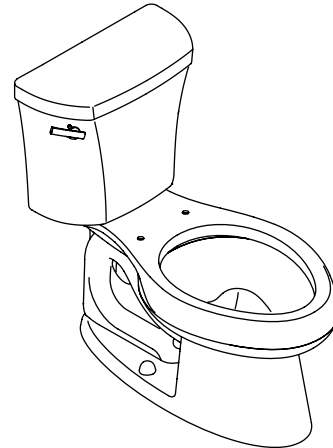


CLASS FIVE® TOILET K-3978

Features

- Vitreous china
- Elongated bowl
- Class Five® flushing system
- Polished chrome trip lever
- Less seat and supply
- 12" (30.5 cm) rough-in
- 1.6 gpf (6 lpf)
- 2-1/8" (5.4 cm) fully glazed trapway
- 11-1/4" (28.6 cm) x 8-1/4" (21 cm) water area
- 30" (76.2 cm) x 18" (45.7 cm) x 29-1/4" (74.3 cm)



Codes/Standards Applicable

Specified model meets or exceeds the following:

- ASME A112.19.2/CSA B45.1

Colors/Finishes

- 0: White
- Other: Refer to Price Book for additional colors/finishes

Accessories

- 0: White
- CP: Polished Chrome
- Other: Refer to Price Book for additional colors/finishes

Specified Model

Model	Description	Trip Lever	Colors/Finishes	
K-3978	Class Five toilet	left-hand	<input type="checkbox"/> 0	<input type="checkbox"/> Other_____
K-3978-RA	Class Five toilet	right-hand	<input type="checkbox"/> 0	<input type="checkbox"/> Other_____
K-3978-T	Class Five toilet with tank cover locks	left-hand	<input type="checkbox"/> 0	<input type="checkbox"/> Other_____
K-3978-TR	Class Five toilet with tank cover locks	right-hand	<input type="checkbox"/> 0	<input type="checkbox"/> Other_____

Recommended Accessories

K-4636	Cachet® Quiet-Close™ seat with Quick-Release™ functionality	<input type="checkbox"/> 0		<input type="checkbox"/> Other_____
K-4688	Cachet elongated toilet seat with cover	<input type="checkbox"/> 0		<input type="checkbox"/> Other_____
K-7637	Angle supply with stop – 3/8" NPT		<input type="checkbox"/> CP	<input type="checkbox"/> Other_____

Product Specification

The elongated bowl toilet shall be made of vitreous china. Toilet shall be 30" (76.2 cm) in length, 18" (45.7 cm) in width, and 29-1/4" (74.3 cm) in height with a 11-1/4" (28.6 cm) x 8-1/4" (21 cm) water area. Toilet shall be 1.6 gpf (6 lpf) with Class Five flushing system. Toilet shall include polished chrome trip lever. Toilet shall have 2-1/8" (5.4 cm) glazed trapway. Toilet shall be 12" (30.5 cm) rough-in, less seat and supply. Toilet shall be Kohler Model K-3978-_____-_____.

WELLWORTH®

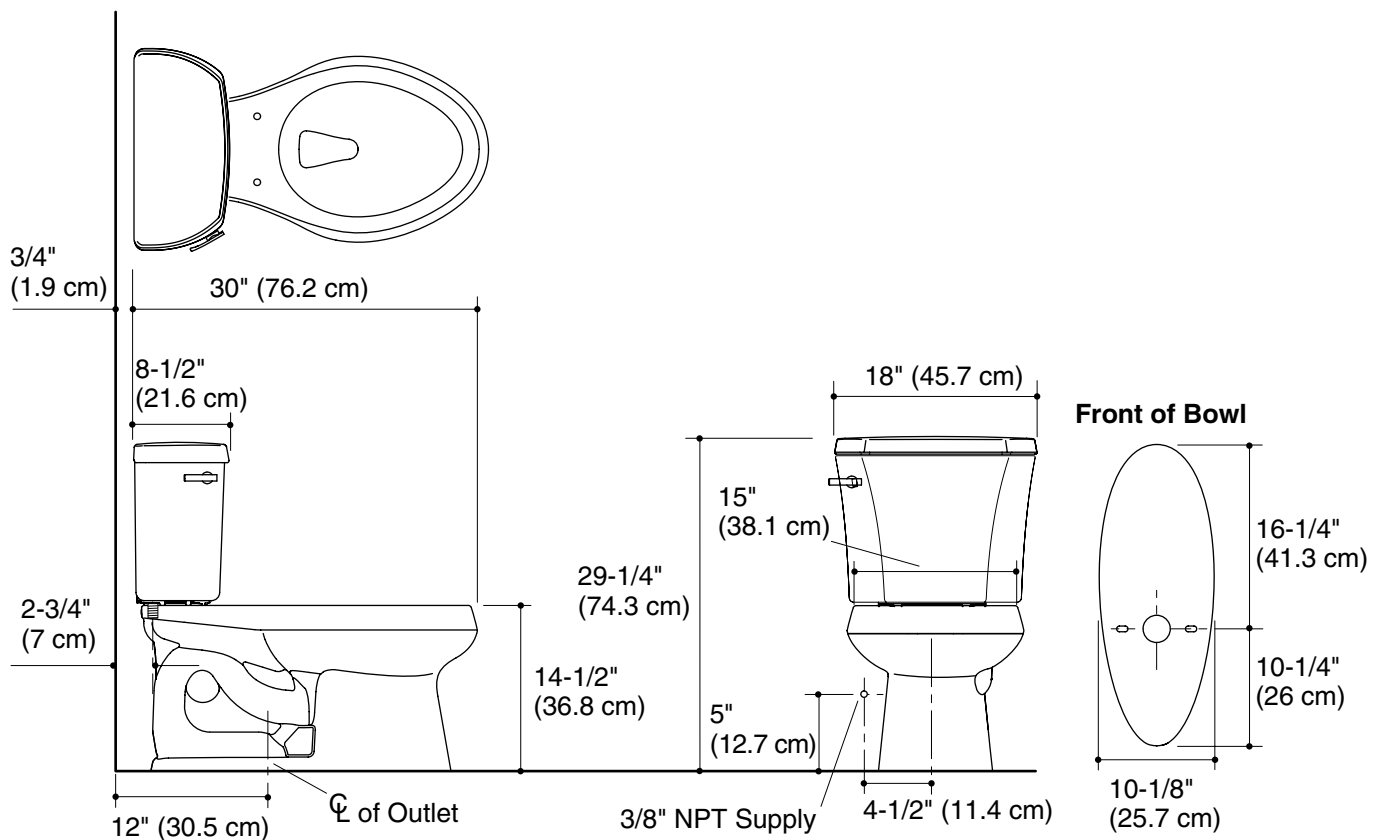
Technical Information

Fixture:	
Configuration	two-piece, elongated
Water per flush	1.6 gpf (6 lpf)
Passageway	2-1/8" (5.4 cm)
Water area	11-1/4" (28.6 cm) x 8-1/4" (21 cm)
Water depth from rim	5-1/4" (13.3 cm)
Seat post hole centers	5-1/2" (14 cm)

Included components:	
Bowl	K-4198
Tank	K-4468
Tank cover	1138565
Trip lever	K-9379
Tank accessory pack	1016548
Bolt cap accessory pack	1013092

Installation Notes

Install this product according to the installation guide.



Product Diagram