

COMFORT HEIGHT® TOILET K-3827

ADA

Features

- Vitreous china
- Elongated bowl
- Comfort Height®
- Class Five® flushing system
- Less seat and supply
- 12" (30.5 cm) rough-in
- 1.28 gpf (4.8 lpf)
- 2-1/8" (5.4 cm) glazed trapway
- 11-1/4" (28.6 cm) x 9" (22.9 cm) water area
- 29-1/2" (74.9 cm) x 18-1/4" (46.4 cm) x 31-1/2" (80 cm)

Codes/Standards Applicable

Specified model meets or exceeds the following:

- ADA
- ICC/ANSI A117.1
- ASME A112.19.2/CSA B45.1
- Energy Policy Act of 1992



Colors/Finishes

- 0: White
- Other: Refer to Price Book for additional colors/finishes

Accessories

- 0: White
- CP: Polished Chrome
- PB: Vibrant® Polished Brass
- Other: Refer to Price Book for additional colors/finishes

Specified Model

Model	Description	Trip Lever	Colors/Finishes	
K-3827	Comfort Height toilet	left-hand	<input type="checkbox"/> 0	<input type="checkbox"/> Other_____
Recommended Accessories				
K-7637	Angle supply with stop – 3/8" NPT	<input type="checkbox"/> CP	<input type="checkbox"/> PB	<input type="checkbox"/> Other_____
Optional Accessories				
K-4650	Lustra™ elongated open-front toilet seat – for Accessibility compliance	<input type="checkbox"/> 0		<input type="checkbox"/> Other_____
K-9475	Bancroft® left-hand trip lever (non-CP)		<input type="checkbox"/> PB	<input type="checkbox"/> Other_____

Product Specification

The elongated bowl toilet shall be made of vitreous china. Toilet shall be 29-1/2" (74.9 cm) in length, 18-1/4" (46.4 cm) in width, and 31-1/2" (80 cm) in height with a 11-1/4" (28.6 cm) x 9" (22.9 cm) water area. Toilet shall be Comfort Height. Toilet shall have a 12" (30.5 cm) rough-in, and 2-1/8" (5.4 cm) glazed trapway. Toilet shall be 1.28 gpf (4.8 lpf) with Class Five flushing system. Toilet shall be less seat and supply. Toilet shall be Kohler Model K-3827-_____.

BANCROFT®

Technical Information

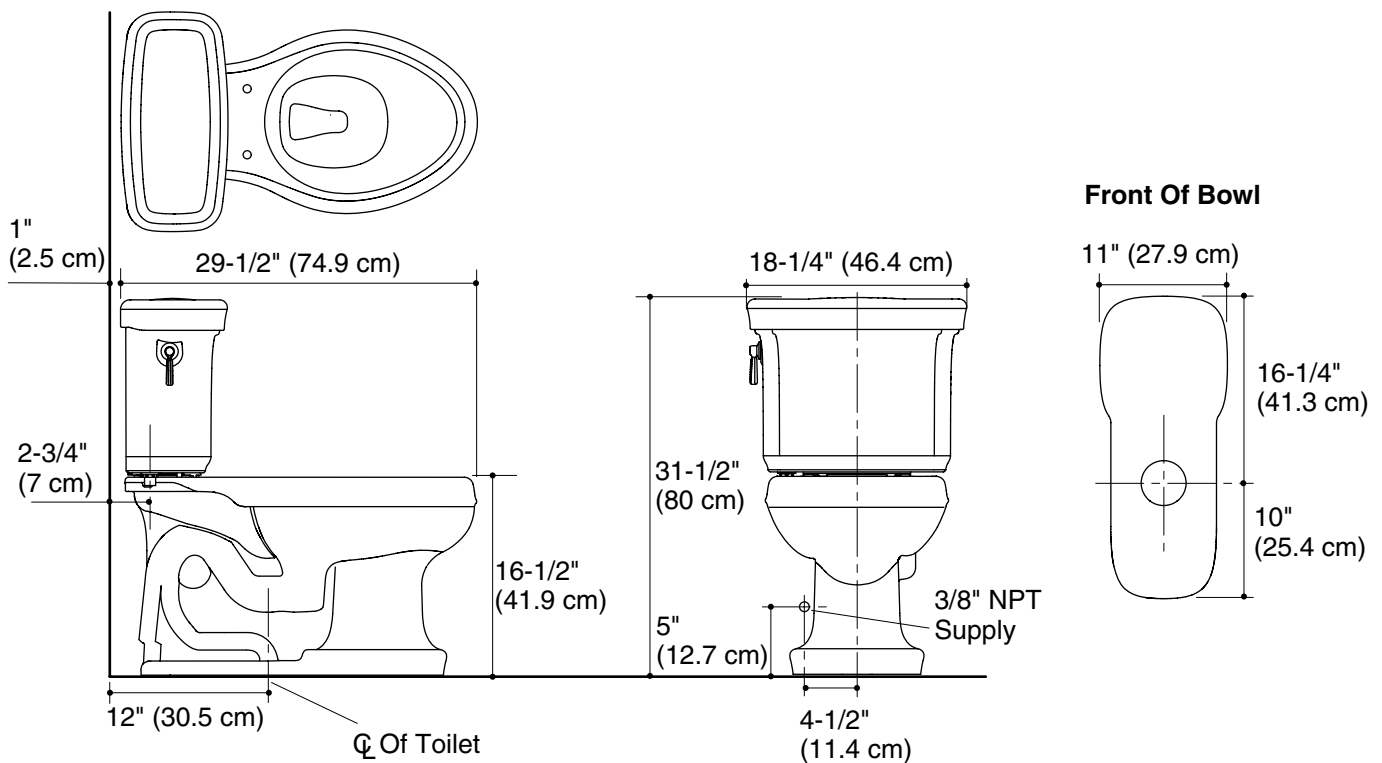
Fixture:	
Configuration	two-piece, elongated front
Water per flush	1.28 gpf (4.8 lpf)
Passageway	2-1/8" (5.4 cm)
Water area	11-1/4" (28.6 cm) x 9" (22.9 cm)
Water depth from rim	5-3/8" (13.7 cm)
Seat post hole centers	5-1/2" (14 cm)

Included components:	
Bowl	K-4067
Tank	K-4383
Tank cover	1033723
Trip lever	1160365
Tank attachment kit	1016548
Bolt cap accessory pack	1013092

Installation Notes

Install this product according to the installation guide.

Will comply with the American Disabilities Act (**ADA**) when installed per the requirements of the Accessibility Guidelines, Section 604 Water Closets, of the Act. The Model Plumbing Codes require the installation of elongated open-front toilet seats on public bathrooms.



Product Diagram