

### Features

- Two-piece toilet.
- Elongated bowl offers added room and comfort.
- Comfort Height® feature offers a chair-height seat that makes sitting down and standing up easier for most adults.
- Left-hand nested trip lever offers a choice of 1.1 or 1.6 gallons per flush (gpf).
- 2-1/8-inch glazed trapway.
- Combination consists of the the K-4199 bowl and the K-4458 tank.

### Technology

- Dual-flush technology allows you to choose between a full- or partial-flush.

### Installation

- Standard 12-inch rough-in.
- Three-bolt installation.

### Water Conservation & Rebates

- WaterSense® toilets meet strict EPA flushing guidelines, including using at least 20 percent less water than 1.6-gallon toilets.
- Eligible for consumer rebates in some municipalities.



For complete listing of available colors, go to [kohler.com](http://kohler.com).



ADA

CSA B651

OBC

### Codes/Standards

ASME A112.19.2/CSA B45.1

ADA

ICC/ANSI A117.1

EPA WaterSense®

CSA B651

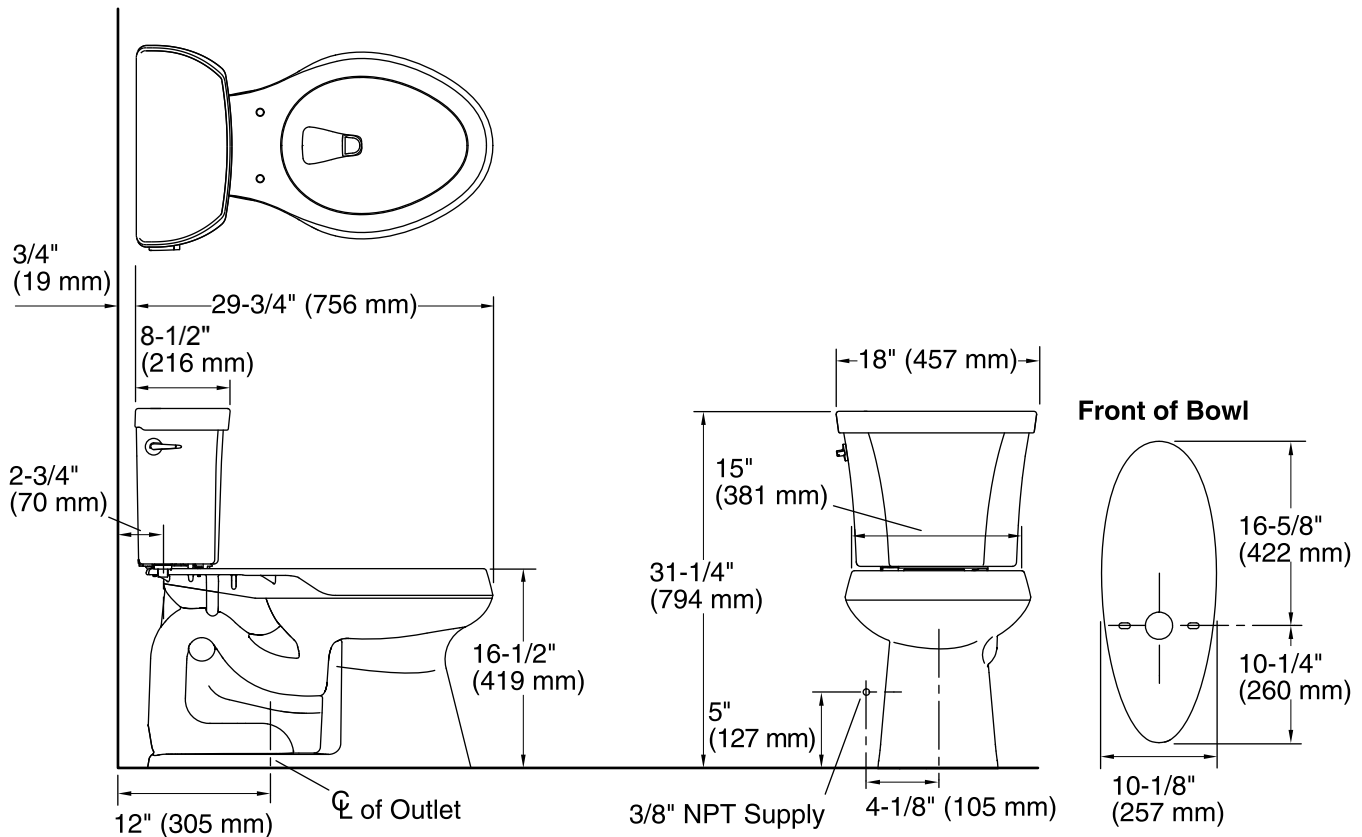
OBC

### KOHLER® One-Year Limited Warranty

See website for detailed warranty information.

### Product Specification

Toilet shall be 29-3/4" (756 mm) in length, 18" (457 mm) in width, and 31-1/4" (794 mm) in height. Toilet shall be made of vitreous china. Toilet shall be two-piece. Product shall feature 1.6 gpf (6.1 lpf) or 1.1 gpf (4.2 lpf). Toilet shall be left-hand trip lever. Toilet shall be Class Five® dual flushing system. Toilet shall be 12" (305 mm) rough-in. Toilet shall be Kohler Model K-3989.



### Technical Information

All measurements are approximate only.

Toilet style:	Two-piece
Bowl shape:	Elongated front
Passageway:	2-1/8" (54 mm)
Flush rate - full:	1.6 gpf (6.1 lpf)
Flush rate - short:	1.1 gpf (4.2 lpf)
Water area:	11-3/8" x 8" (289 mm x 203 mm)
Water depth from rim:	5-3/8" (137 mm)
Rough-in:	12" (305 mm)
Seat hole centers:	5-1/2" (140 mm)

### Installation Notes

Install this product according to the installation guide.

K-4731 is the recommended toilet seat for public use accessible installations.

The Model Plumbing Codes require the installation of elongated open-front toilet seats in public bathrooms.

ADA, OBC, CSA B651 compliant when installed to the specific requirements of these regulations.