

Features

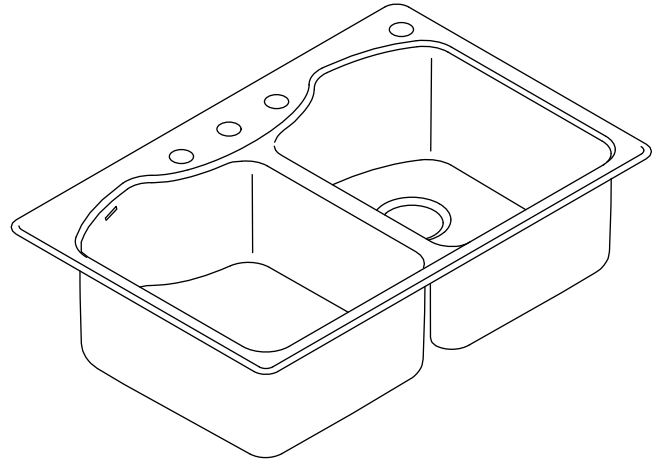
- 18-gauge stainless steel
- Top-mount
- Double (equal) bowl
- 4-hole (-4), 3-hole (-3), or single-hole (-1)
- Includes installation hardware
- Includes SilentShield® sound-absorption technology
- Includes left bottom bowl rack, sponge caddy, and a bottle of stainless steel cleaner
- 33" (838 mm) x 22" (559 mm)

Codes/Standards Applicable

Specified model meets or exceeds the following:

- ASME A112.19.3/CSA B45.4

TOP-MOUNT KITCHEN SINK K-3842



Colors/Finishes

- NA: None applicable

Accessories

- CP: Polished Chrome
- ST: Stainless Steel
- NA: None applicable
- Other: Refer to Price Book for additional colors/finishes

Specified Model

Model	Description	Colors/Finishes
K-3842-1	Top-mount kitchen sink – 1-hole	<input type="checkbox"/> NA
K-3842-3	Top-mount kitchen sink – 3-hole	<input type="checkbox"/> NA
K-3842-4	Top-mount kitchen sink – 4-hole (shown)	<input type="checkbox"/> NA

Included Accessories			
K-6139	Sponge caddy	<input type="checkbox"/> ST	
K-6483	Bottom bowl rack, left (flippable)	<input type="checkbox"/> ST	
1056368	Stainless steel cleaner		<input type="checkbox"/> NA

Product Specification

The top-mount kitchen sink shall be made of 18-gauge stainless steel. Sink shall be 33" (838 mm) in length and 22" (559 mm) in width. Sink shall feature double equal compartment. Sink shall be available with 1-hole [-1], 3-hole [-3], or 4-hole [-4]. Sink shall include SilentShield sound-absorption technology. Sink shall also include left bottom bowl rack, sponge caddy, a bottle of stainless steel cleaner and installation hardware. Sink shall be Kohler Model K-3842-____-NA.

OCTAVE™

Optional Accessories					
K-6453	Bottom bowl rack, right		<input type="checkbox"/> ST		
K-8801	Duostrainer® sink strainer			<input type="checkbox"/> CP	<input type="checkbox"/> Other_____
1177161	Hardware kit for countertops up to 2-1/2" (64 mm) thickness	<input type="checkbox"/> NA			

Technical Information

Fixture*:	
Bowl area	14-3/8" (365 mm) x 18-5/16" (465 mm)
Water depth	9" (229 mm)
Drain hole	Ø 3-5/8" (92 mm)
Faucet holes	Ø 1-7/16" (37 mm)
* Approximate measurements for comparison only.	

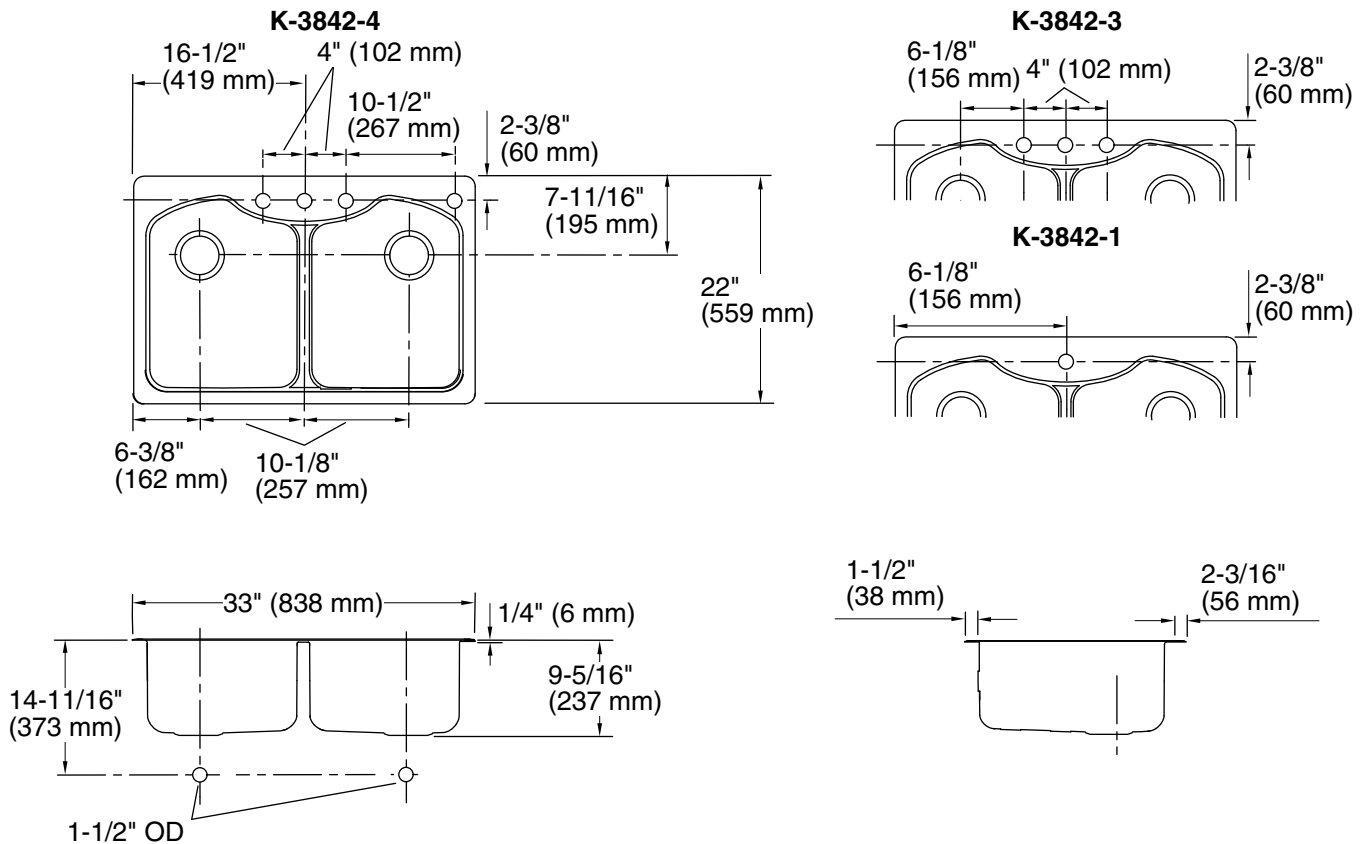
Included components:

Hardware kit – top-mount	1177160
--------------------------	---------

Installation Notes

Install this product according to the installation guide.

Cut-out is 32-1/2" (826 mm) x 21-1/2" (546 mm) with 1/2" (13 mm) radius corners.



Product Diagram