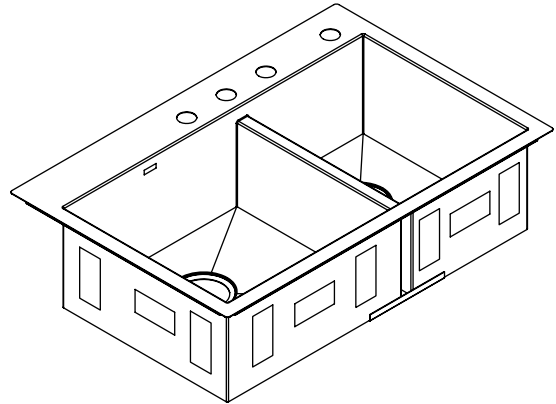


Features

- 18-gauge stainless steel
- Self-rimming or undercounter
- Includes installation hardware
- Offset
- 33" (83.8 cm) x 22" (55.9 cm)

SELF-RIMMING/UNDERCOUNTER KITCHEN SINK K-3823



Codes/Standards Applicable

Specified model meets or exceeds the following:

- ASME A112.19.3/CSA B45.4

Colors/Finishes

- NA: None applicable

Accessories

- CP: Polished Chrome
- NA: None applicable
- Other: Refer to Price Book for additional colors/finishes

Specified Model

Model	Description	Colors/Finishes
K-3823-1	Self-rimming/Undercounter kitchen sink – single-hole	<input type="checkbox"/> NA
K-3823-3	Self-rimming/Undercounter kitchen sink – 3-hole	<input type="checkbox"/> NA
K-3823-4	Self-rimming/Undercounter kitchen sink – 4-hole	<input type="checkbox"/> NA

Optional Accessories

K-8801	Duostrainer® sink strainer	<input type="checkbox"/> CP	<input type="checkbox"/> Other_____
1131881	Hardware kit for countertops with a 2-1/2" (6.4 cm) thickness or less	<input type="checkbox"/> NA	

Product Specification

The sink shall be 33" (83.8 cm) in length, 22" (55.9 cm) in width. Sink shall be made of 18-gauge stainless steel. Sink shall be undercounter or self-rimming. Sink shall be offset. Sink shall include installation hardware. Sink shall be Kohler Model K-3823-NA.

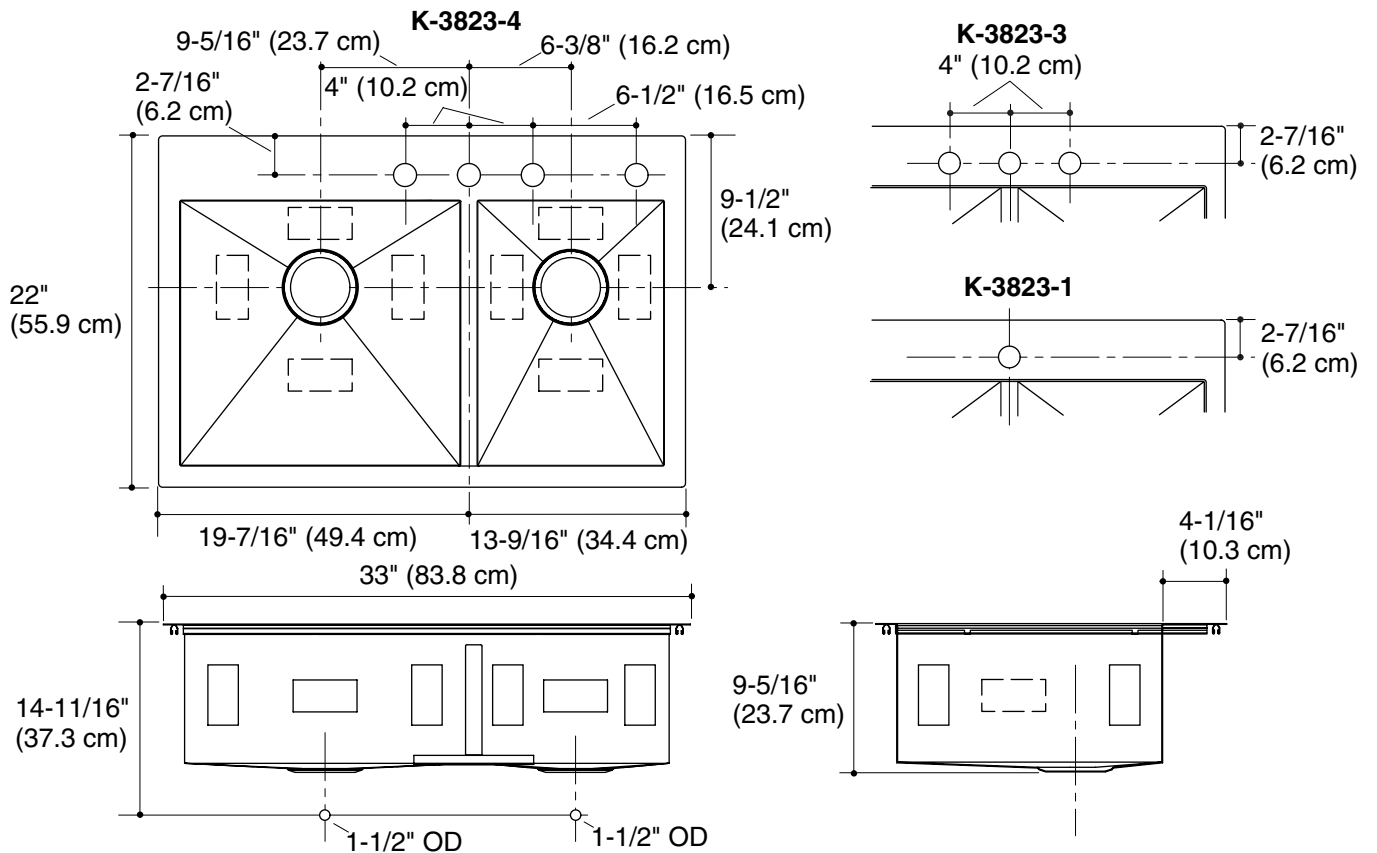
Technical Information

Fixture*:	
Basin area	17-1/2" (44.5 cm) x 16-9/16" (42.1 cm) 11-5/8" (29.5 cm) x 16-9/16" (42.1 cm)
Water depth	9" (22.9 cm)
Drain hole	3-5/8" (9.2 cm) D.
* Approximate measurements for comparison only.	

Included components:	
Hardware kit – self-rimming	1130570
Cut-out template	1130823

Installation Notes

Install this product according to the installation guide.



Product Diagram