

### Features

- Brass construction.
- Brass valve bodies.
- Quarter-turn washerless ceramic disc valves.
- For 8" (203 mm) centers.
- 9-3/16" (233 mm) swing spout reach.
- ADA compliant lever handles.
- Matching finish sidespray.
- Lower flow aerator options are available. (Please refer to the Kohler Price Book).
- 2.2 gal/min (8.3 l/min) maximum flow rate [max at 60 psi (4.14 bar)].



For complete listing of available colors, go to [kohler.com](http://kohler.com).

ADA

CSA B651

OBC

### Codes/Standards

ASME A112.18.1/CSA B125.1

NSF 61

NSF 372

ADA

ICC/ANSI A117.1

DOE - Energy Policy Act 1992

CSA B651

OBC

All applicable US Federal and State material regulations

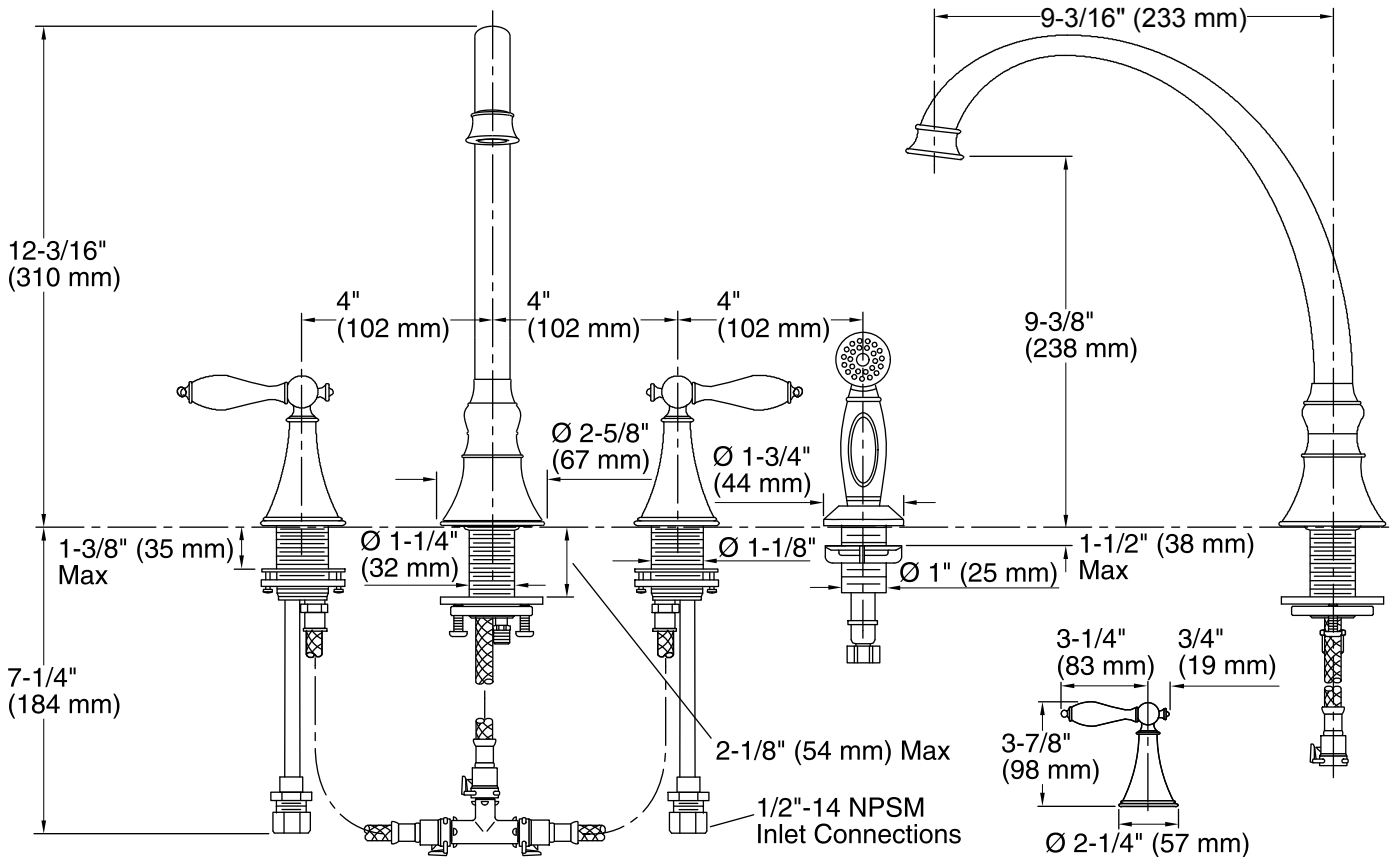
TAS

### KOHLER® Faucet Lifetime Limited Warranty

See website for detailed warranty information.

### Product Specification

Kitchen sink faucet shall be 9-3/16" (233 mm) swing spout reach and 9-3/8" (238 mm) spout outlet height. Kitchen sink faucet shall be brass construction with brass valve bodies. Kitchen sink faucet shall be lever handles. Kitchen sink faucet shall be matching finish sidespray. Kitchen sink faucet shall be 8" (203 mm) centers. Kitchen sink faucet shall be KOHLER Model K-377-4M.



### Technical Information

All measurements are nominal.

Spout reach: 9-3/16" (233 mm)

#### Faucet:

Flow rate: 2.2 gal/min (8.3 l/min)

Pressure: 60 psi (4.1 bar)

### Installation Notes

Install this product according to the installation guide.

ADA, OBC, CSA B651, TAS compliant when installed to the specific requirements of these regulations.