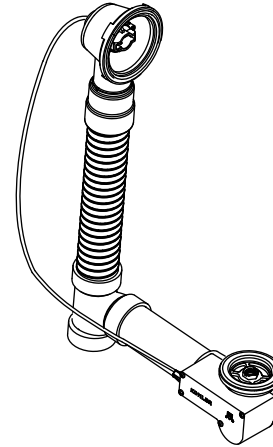


**Features**

- Metal construction control handle and stopper
- For baths 14" (356 mm) to 26" (660 mm) deep from the center of the bath overflow outlet to the center of the bath drain outlet
- 30" (762 mm) or 45" (1143 mm) length external cable
- Flexible overflow joint conforms to various bath angles
- No internal linkages to minimize the potential for clogging

**CABLE BATH DRAIN  
K-37383  
ALSO K-37385, K-37386**



**Codes/Standards Applicable**

Specified model meets or exceeds the following:

- ASME A112.18.1/CSA B125.1
- ASME A112.18.2/CSA B125.2

**Colors/Finishes**

- CP: Polished Chrome
- Other: Refer to Price Book for additional colors/finishes

**Accessories**

- CP: Polished Chrome
- Other: Refer to Price Book for additional colors/finishes

**Specified Model**

Model	Description	Colors/Finishes	
K-37383	Cable bath drain – 30" (762 mm), with PVC tubing	<input type="checkbox"/> CP	<input type="checkbox"/> Other _____
K-37385	Cable bath drain – 45" (1143 mm), less PVC tubing	<input type="checkbox"/> CP	<input type="checkbox"/> Other _____
K-37386	Cable bath drain – 30" (762 mm), less PVC tubing	<input type="checkbox"/> CP	<input type="checkbox"/> Other _____

Required Accessories			
K-T37391	Cable bath drain trim – Basic Rotary <b>OR</b>	<input type="checkbox"/> CP	<input type="checkbox"/> Other _____
K-T37392	Cable bath drain trim – Contemporary Rotary <b>OR</b>	<input type="checkbox"/> CP	<input type="checkbox"/> Other _____
K-T37393	Cable bath drain trim – Traditional Rotary <b>OR</b>	<input type="checkbox"/> CP	<input type="checkbox"/> Other _____
K-T37394	Cable bath drain trim – Victorian Rotary <b>OR</b>	<input type="checkbox"/> CP	<input type="checkbox"/> Other _____
K-T37395	Cable bath drain trim – Contemporary Push <b>OR</b>	<input type="checkbox"/> CP	<input type="checkbox"/> Other _____
K-T37396	Cable bath drain trim – Traditional Push <b>OR</b>	<input type="checkbox"/> CP	<input type="checkbox"/> Other _____
K-T37397	Cable bath drain trim – Victorian Push	<input type="checkbox"/> CP	<input type="checkbox"/> Other _____

**Product Specification**

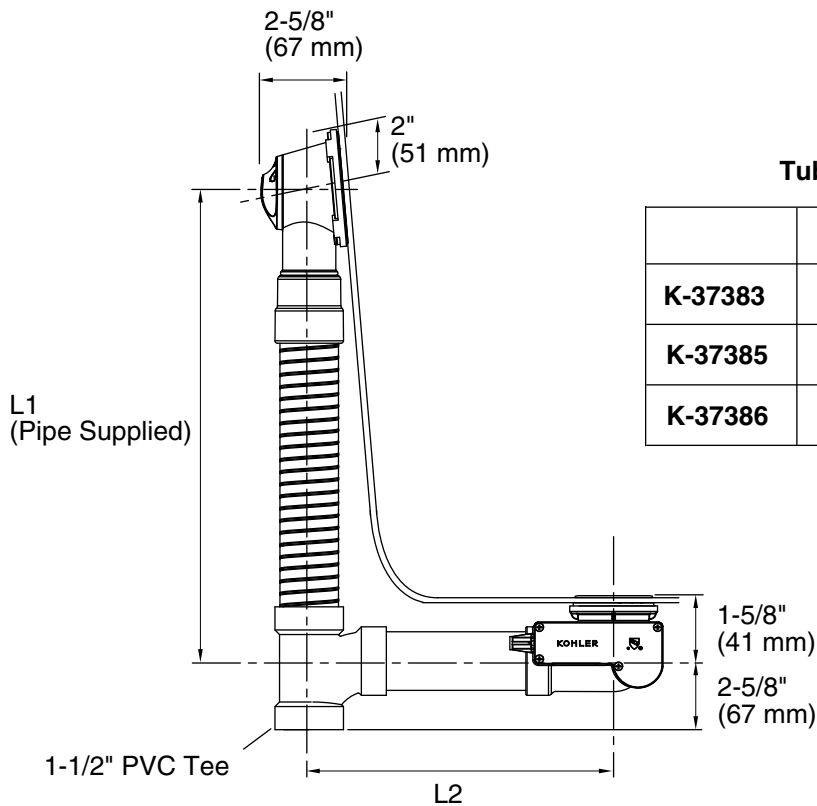
The cable bath drain shall feature a metal constructed control handle and stopper. Drain shall be intended for baths which are 14" (356 mm) to 26" (660 mm) deep from the center of the bath overflow outlet to the center of the bath drain outlet. Drain shall feature a 30" (762 mm) or 45" (1143 mm) length external cable. Drain shall feature flexible overflow joint that will conform to various bath angles. Drain shall have no internal linkages to minimize the potential for clogging. Cable bath drain shall be Kohler Model K-\_\_\_\_\_.

# PUREFLO™

## Installation Notes

Install this product according to the installation guide.

The combined length of the PVC tubing (noted as L1 and L2 in the Product Diagram) after being cut for the bath installation must be equal to or less than 25" (635 mm) for 30" (762 mm) cable bath drain and 40" (1016 mm) for 45" (1143 mm) cable bath drain.



Tube Length Supplied

	L1	L2
<b>K-37383</b>	21" (533 mm)	9-1/2" (241 mm)
<b>K-37385</b>	26" (660 mm)	NA
<b>K-37386</b>	21" (533 mm)	NA

Product Diagram