

### Features

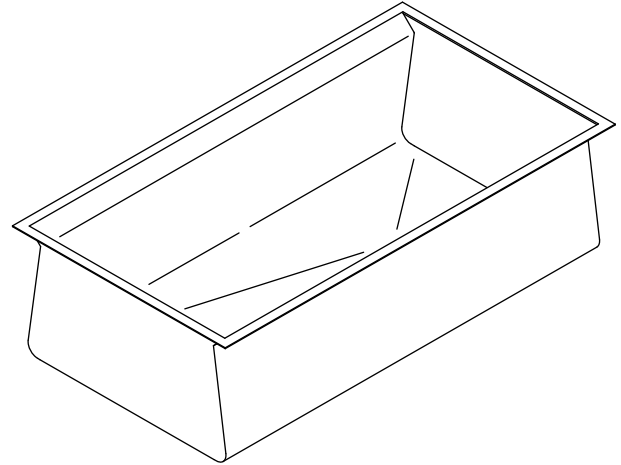
- 16-gauge stainless steel
- Under-mount
- Single bowl
- Includes installation hardware
- Includes wine glass rack and bottom bowl rack
- 31-1/2" (800 mm) x 16-1/2" (419 mm)

### Codes/Standards Applicable

Specified model meets or exceeds the following:

- ASME A112.19.3/CSA B45.4

## UNDER-MOUNT KITCHEN SINK K-3673



### Colors/Finishes

- NA: None applicable

### Accessories

- CP: Polished Chrome
- ST: Stainless Steel
- NA: None applicable
- Other: Refer to Price Book for additional colors/finishes

### Specified Model

Model	Description	Colors/Finishes
K-3673	Under-mount kitchen sink	<input type="checkbox"/> NA
<b>Included Accessories</b>		
K-6133	Wine glass rack	<input type="checkbox"/> NA
K-6137	Bottom bowl rack	<input type="checkbox"/> ST
<b>Optional Accessories</b>		
K-2989	Countertop cutting board	<input type="checkbox"/> NA
K-3140	Bamboo cutting board	<input type="checkbox"/> NA
K-8801	Duostrainer® sink strainer	<input type="checkbox"/> CP <input type="checkbox"/> Other _____

### Product Specification

The under-mount sink shall be 31-1/2" (800 mm) in length and 16-1/2" (419 mm) in width. Sink shall be made of 16-gauge stainless steel. Sink shall be single bowl. Sink shall include wine glass rack, bottom bowl rack, and installation hardware. Sink shall be Kohler Model K-3673-\_\_\_\_\_.

# 8 DEGREE™

## Technical Information

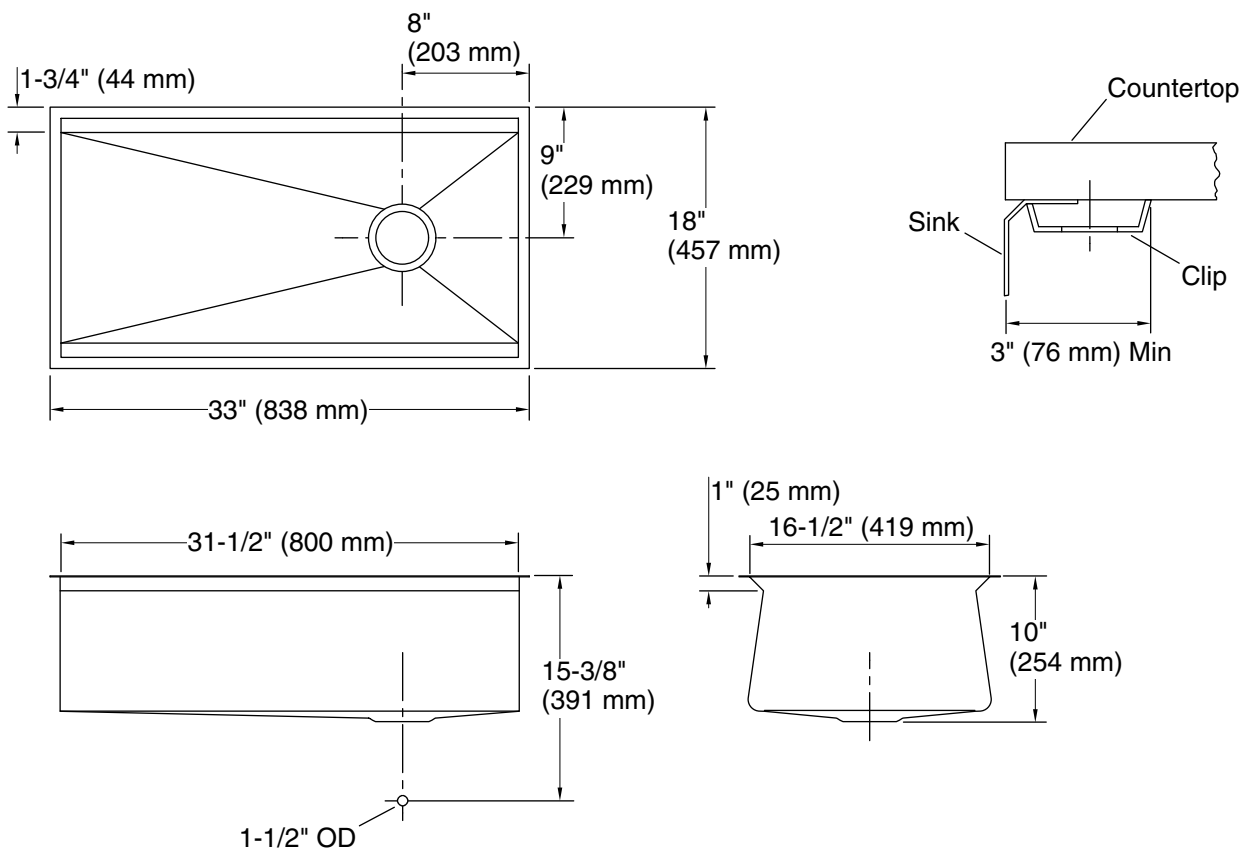
Fixture*:	
Bowl area	31-1/2" (800 mm) x 16-1/2" (419 mm)
Water depth	9-3/4" (248 mm)
Drain hole	Ø 3-5/8" (92 mm)
*Approximate measurements for comparison only.	

Included components:	
Hardware kit	91915
Cut-out template	1093327-7

## Installation Notes

Install this product according to the installation guide.

Allow a minimum of 3" (76 mm) clearance around the sink rim for clip attachment.



## Product Diagram