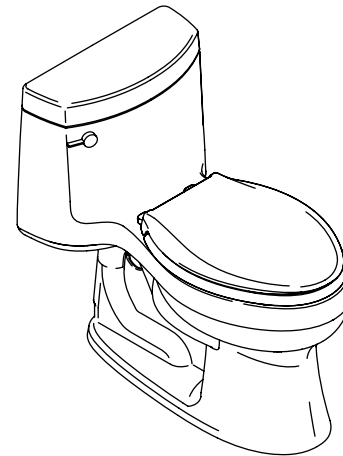


### COMFORT HEIGHT® TOILET K-3489

ADA

#### Features

- Vitreous china
- Elongated bowl
- Class Five® flushing system
- Polished chrome trip lever
- Includes seat and cover
- Less supply
- Available with right-hand or left-hand trip lever
- Comfort Height®
- 1.6 gpf (6 lpf) or 1.4 gpf (5.3 lpf)
- 12" (305 mm) rough-in
- 2-1/8" (54 mm) glazed trapway
- One-piece
- ADA compliant when installed following installation notes
- 11-1/2" (292 mm) x 8-1/2" (216 mm) water area
- 29-5/16" (745 mm) x 17-5/8" (448 mm) x 28-3/4" (730 mm)



#### Codes/Standards Applicable

Specified model meets or exceeds the following:

- ADA
- ASME A112.19.2/CSA B45.1
- ICC/ANSI A117.1

#### Colors/Finishes

- 0: White
- Other: Refer to Price Book for additional colors/finishes

#### Accessories

- 0: White
- CP: Polished Chrome
- PB: Vibrant® Polished Brass
- Other: Refer to Price Book for additional colors/finishes

#### Specified Model

Model	Description	Trip Lever	Colors/Finishes	
K-3489	Comfort Height toilet	left-hand	<input type="checkbox"/> 0	<input type="checkbox"/> Other_____
K-3489-RA	Comfort Height toilet	right-hand	<input type="checkbox"/> 0	<input type="checkbox"/> Other_____

#### Recommended Accessories

K-7637	Angle supply with stop – 3/8" NPT	<input type="checkbox"/> CP	<input type="checkbox"/> PB	<input type="checkbox"/> Other_____
--------	-----------------------------------	-----------------------------	-----------------------------	-------------------------------------

#### Optional Accessories

K-4650	Lustra™ elongated open-front toilet seat – for ADA compliance	<input type="checkbox"/> 0	<input type="checkbox"/> Other_____
--------	---	----------------------------	-------------------------------------

Optional Accessories table is on page 2.

#### Product Specification

The elongated one-piece toilet shall be made of vitreous china. Toilet shall be 29-5/16" (745 mcm) in length, 17-5/8" (448 mm) in width, and 28-3/4" (730 mm) in height with a 11-1/2" (292 mm) x 8-1/2" (216 mm) water area. Toilet shall be 12" (305 mm) rough-in and 2-1/8" (54 mm) glazed trapway. Toilet shall be 1.6 gpf (6 lpf) or 1.4 gpf (5.3 lpf) with Class Five® flushing system. Toilet shall be ADA compliant (when installed following installation notes). Toilet shall include seat and cover, and polished chrome trip lever. Toilet shall be available with left-hand or right-hand trip lever, and less supply. Toilet shall be Kohler Model K-3489-\_\_\_\_\_ or K-3489-RA\_\_\_\_\_.

# CIMARRON®

## Optional Accessories

K-9466-L	Left-hand trip lever (non-CP)	<input type="checkbox"/> PB	<input type="checkbox"/> Other_____
K-9466-R	Right-hand trip lever (non-CP)	<input type="checkbox"/> PB	<input type="checkbox"/> Other_____

## Technical Information

Fixture:	
Configuration	one-piece, elongated
Water per flush	1.6 gal (6 L) or 1.4 gal (5.3 L)
Passageway	2-1/8" (54 mm)
Water area	11-1/2" (292 mm) x 8-1/2" (216 mm)
Water depth from rim	6-1/8" (155 mm)
Seat post hole centers	5-1/2" (140 mm)

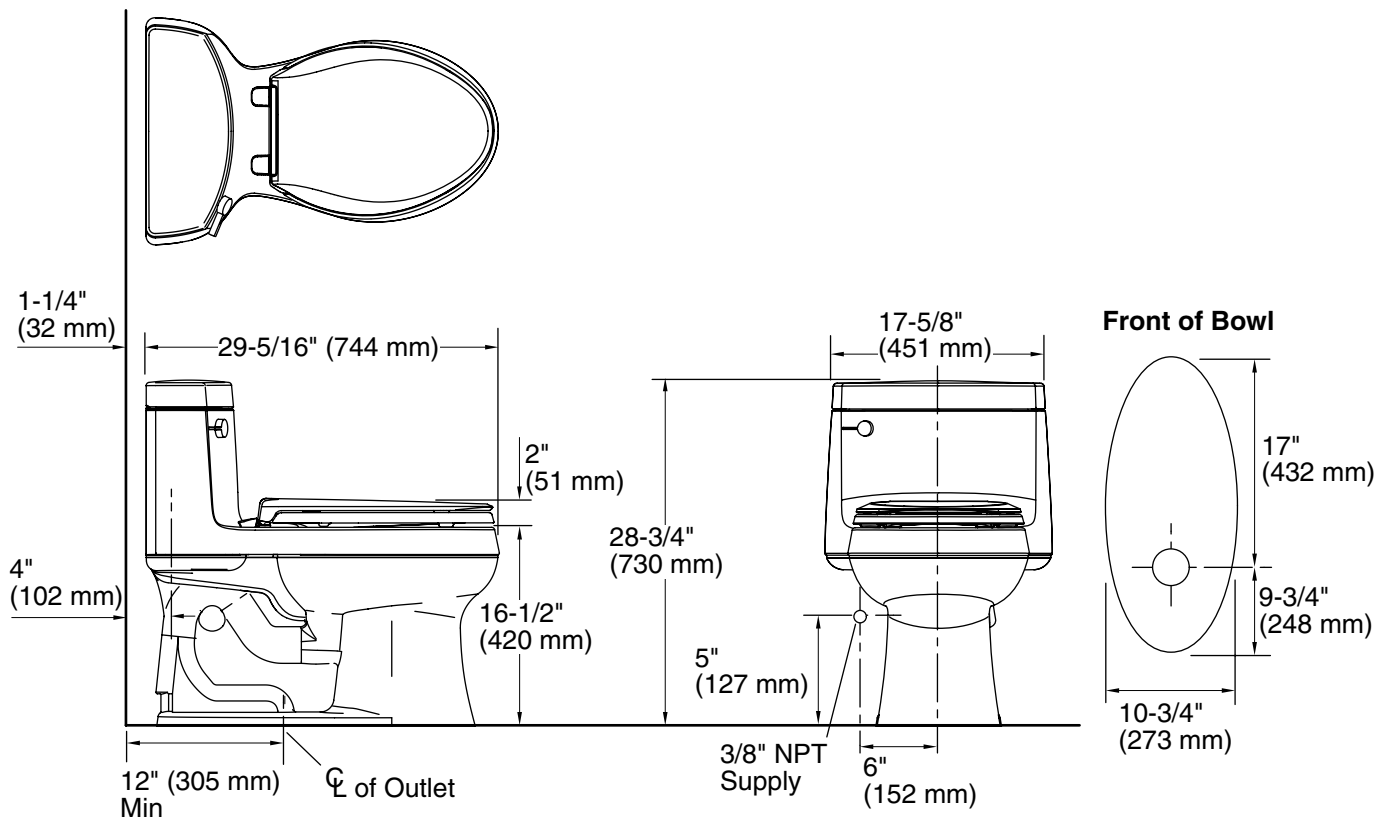
## Included components:

Seat	K-4636
Tank cover	1036367
Trip lever, left-hand	K-9466-L
Trip lever, right-hand	K-9466-R
Bolt cap accessory pack	1013092
Tank accessory pack	52265

## Installation Notes

Install this product according to the installation guide.

Will comply with the American Disabilities Act (**ADA**) when installed per the requirements of the Accessibility Guidelines, Section 604 Water Closets, of the Act. The Model Plumbing Codes require the installation of elongated open-front toilet seats in public bathrooms.



## Product Diagram