



Undertone® Preserve™ Under-mount Kitchen Sink K-3356-HCF

Features

- Minimum base cabinet width: 36"-39" (36" may require cabinet modifications).
- 9-1/2-inch left depth and 7-1/2-inch right depth.
- No faucet holes.
- The innovative Preserve™ sink resists scratching and withstands the everyday wear and tear your sink endures, keeping it looking newer longer.
- SilentShield® sound-absorption technology offers quieter performance.
- Includes a bottom sink rack for left bowl.
- Includes installation hardware.

Material

- Handcrafted from 18-gauge stainless steel.

Installation

- Under-mount
- Extra-large/medium bowls.



For complete listing of available colors, go to kohler.com.

Codes/Standards

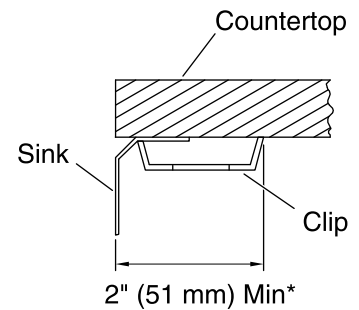
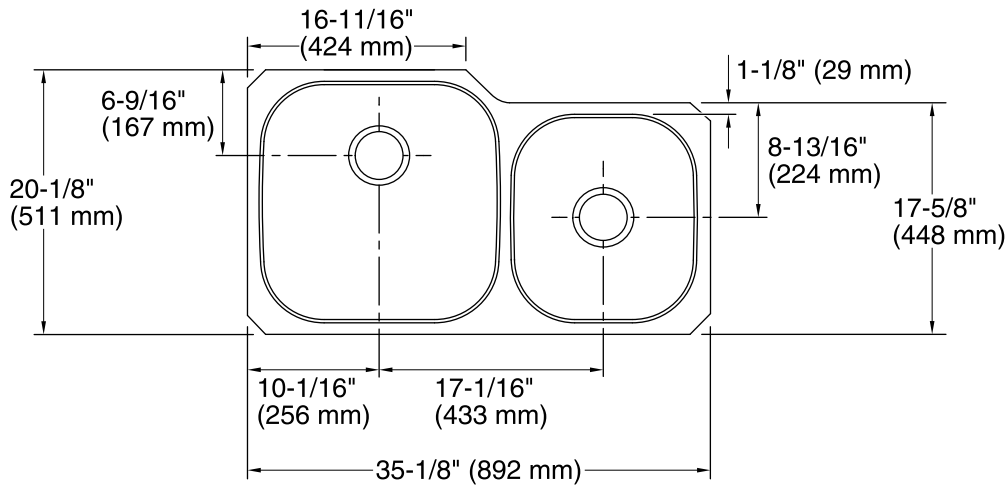
ASME A112.19.3/CSA B45.4

Lifetime Limited Warranty for KOHLER® Stainless Steel Sinks

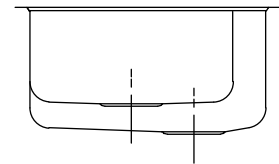
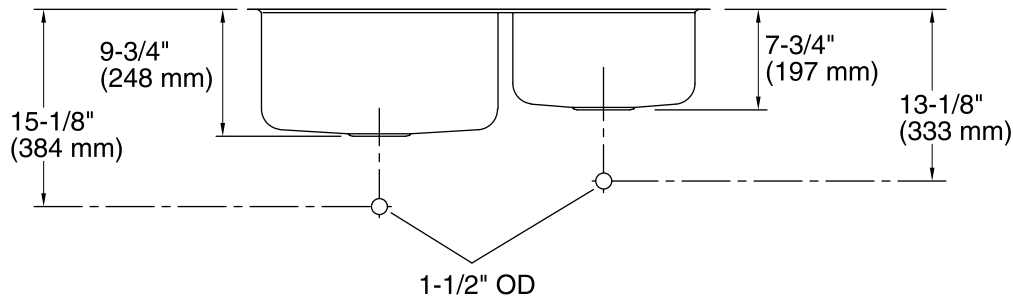
See website for detailed warranty information.

Product Specification

Kitchen sink shall be 35-1/8" (892 mm) in length and 20-1/8" (511 mm) in width. Kitchen sink shall be made of 18-gauge stainless steel. Kitchen sink resists scratching. Kitchen sink shall be extra-large/medium bowls. Kitchen sink shall be without faucet holes. Kitchen sink shall be under-mount installation. Kitchen sink shall be KOHLER Model K-3356-HCF.



* Allow clearance around sink rim for clip attachment.



Technical Information

All measurements are nominal.

Installation:	Under-mount
Bowl area (Left):	17-7/8" x 17-7/8" x 9-1/2" (454 mm x 454 mm x 241 mm)
Bowl area (Right):	13-3/4" x 15-3/8" x 7-1/2" (349 mm x 391 mm x 191 mm)
Drain hole:	3-3/4" (94 mm)
Template:	Under-mount, 1217909-7, required, included

Installation Notes

Install this product according to the installation guide.

Minimum base cabinet width 36" - 39" (36" may require cabinet modifications). Consult an installer for confirmation.