

Features

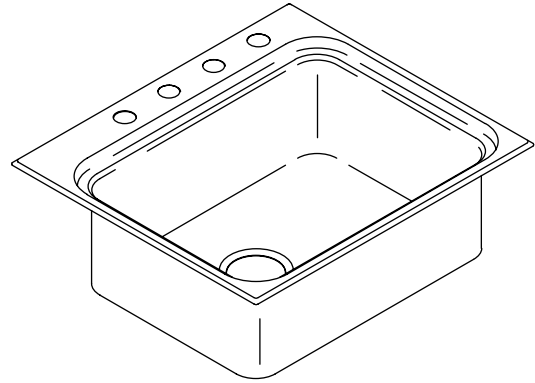
- 18 gauge stainless steel
- Self-rimming
- Single compartment
- Includes installation hardware
- 4-hole (-4) or 3-hole (-3)
- 25" (63.5 cm) x 22" (55.9 cm)

Codes/Standards Applicable

Specified model meets or exceeds the following:

- None applicable

SELF-RIMMING UTILITY SINK K-3206



Colors/Finishes

- NA: None applicable

Accessories:

- CP: Polished Chrome
- 0: White
- NA: None applicable
- Other: Refer to Price Book for additional colors/finishes

Specified Model

Model	Description	Colors/Finishes
K-3206-4	4-hole utility sink	<input type="checkbox"/> NA
K-3206-3	3-hole utility sink	<input type="checkbox"/> NA

Optional Accessories			
K-3192	Bottom basin rack	<input type="checkbox"/> 0 White	<input type="checkbox"/> Other_____
K-3277	Wire rinse basket	<input type="checkbox"/> 0 White	<input type="checkbox"/> Other_____
K-3294	Hardwood cutting board	<input type="checkbox"/> NA	
K-8801	Duostrainer® sink strainer	<input type="checkbox"/> CP	<input type="checkbox"/> Other_____

Product Specification

The self-rimming utility sink shall be 25" (63.5 cm) in length and 22" (55.9 cm) in width. Sink shall be made of 18 gauge stainless steel. Sink shall be single compartment. Sink shall be 4-hole (-4) or 3-hole (-3). Sink shall include installation hardware. Sink shall be Kohler Model K-3206-_____.

BALLAD

Technical Information

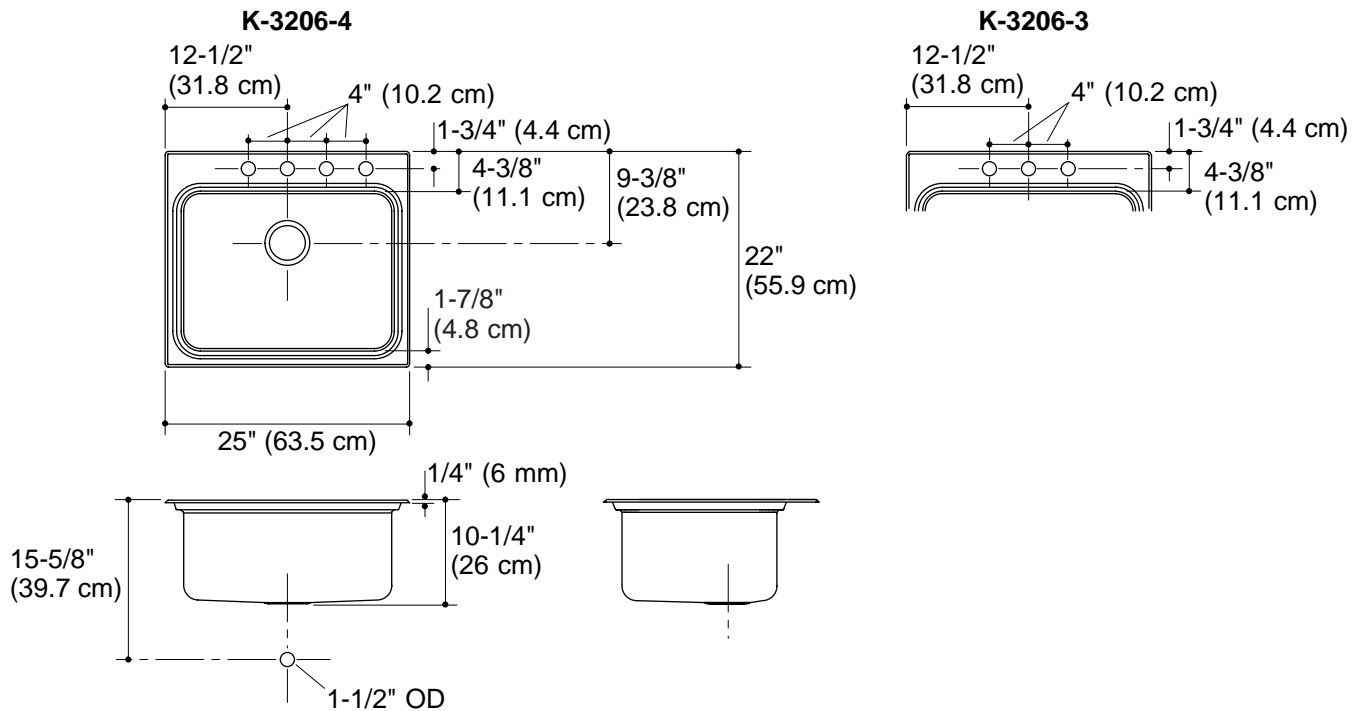
Fixture*:	
Basin area	21" (53.3 cm) x 16" (40.6 cm)
Water depth	10" (25.4 cm)
Drain hole	3-5/8" (9.2 cm) D.
Faucet holes	1-7/16" (3.7 cm) D.
*Approximate measurements for comparison only.	

Included components:	
Fastener pack	1023180

Installation Notes

Install this product according to the installation guide.

Cutout is 24-1/2" (62.2 cm) x 21-1/2" (54.6 cm) with 1/2" (1.3 cm) radius corners.



Product Diagram

BALLAD SELF-RIMMING UTILITY SINK

Page 2 of 2
114715-4-BB

THE BOLD LOOK
OF **KOHLER**