

Product Information

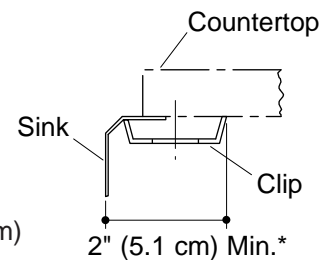
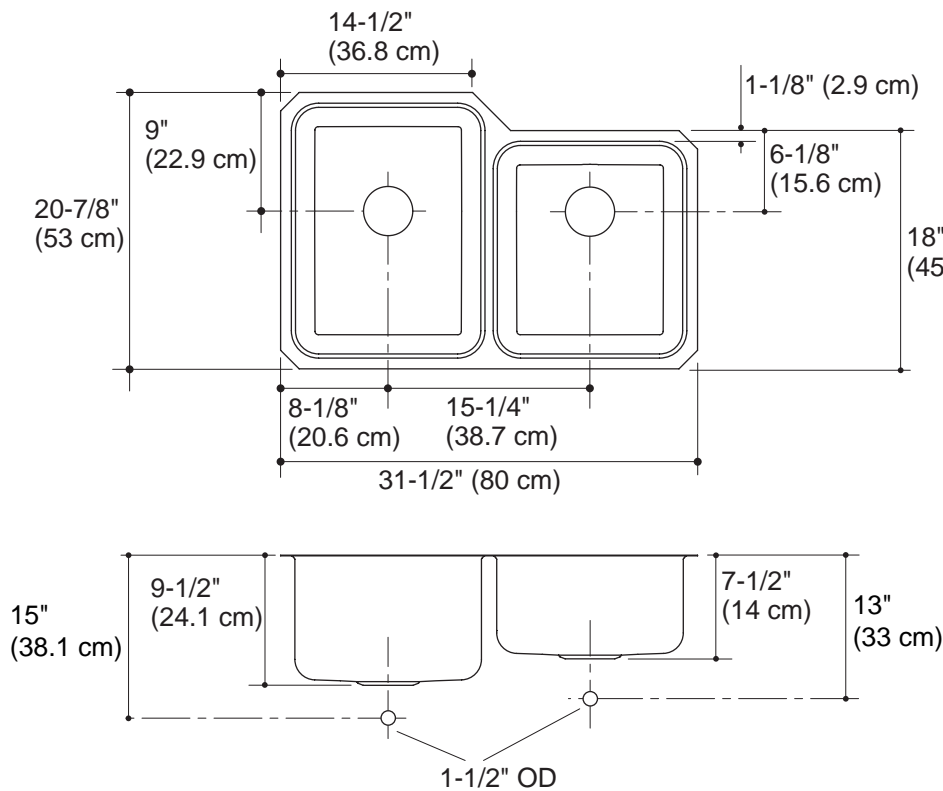
Dimensions shown for K-3177; sink dimensions are opposite for K-3177-L.		
Fixture:*	basin area	water depth
Sink, left	14" (35.6 cm) x 19" (48.3 cm)	9-1/2" (24.1 cm)
Sink, right	14" (35.6 cm) x 16" (40.6 cm)	7-1/2" (19.1 cm)
Drain Holes	3-5/8" (9.2 cm) D.	
* Approximate measurements for comparison only.		

Included Components:	
Hardware kit (4 required)	91915
Cutout template (K-3177)	1040557-7
Cutout template (K-3177-L)	1023161-7

Installation Notes

Install this product according to the installation guide.

Fixture dimensions are nominal and conform to tolerances in ASME Standard A112.19.3.



* Allow clearance around sink rim for clip attachment.

