

Product Information

Fixture:*	basin area	water depth
Sink, left	16-1/8" (41 cm) x 15-5/8" (39.7 cm)	9-1/2" (24.1 cm)
Sink, right	16-1/8" (41 cm) x 15-5/8" (39.7 cm)	9-1/2" (24.1 cm)
Drain Holes	3-5/8" D. (9.2 cm)	

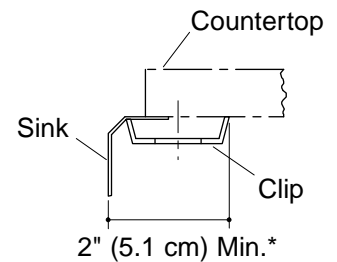
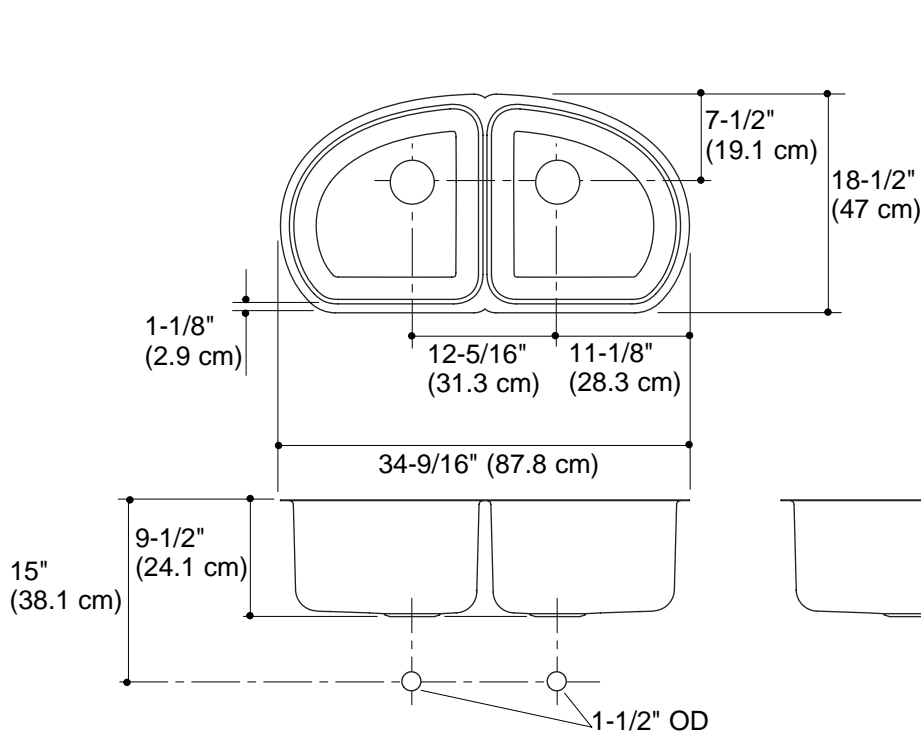
* Approximate measurements for comparison only.

Included Components:	
Hardware kit (4 required)	91915
Cutout template	1040322-7

Installation Notes

Install this product according to the installation guide.

Fixture tolerances are nominal and conform to tolerances in ASME Standard A112.19.3.



* Allow clearance around sink rim for clip attachment.