

Product Information

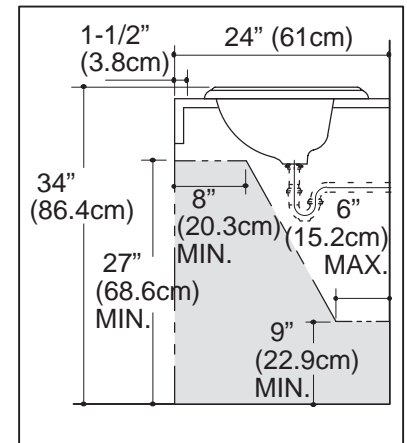
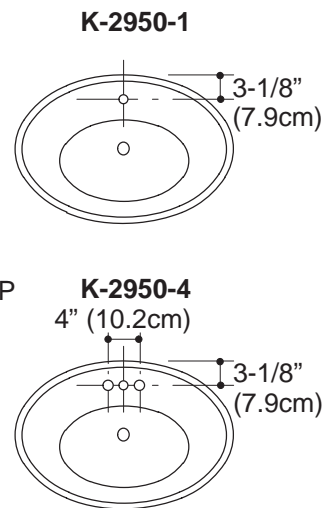
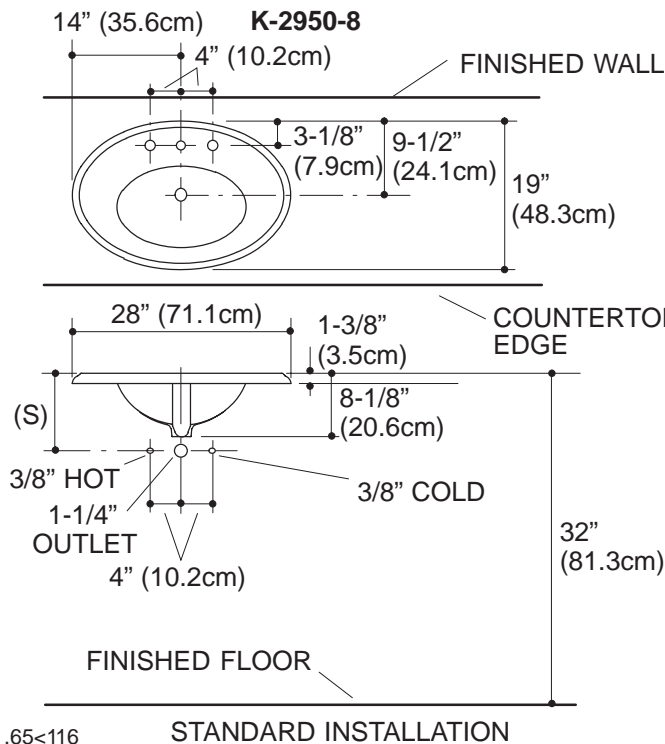
ADA compliant.			
Fixture*:		basin area	water depth
Lavatory		17" (43.2cm) x 11" (27.9cm)	4-1/4" (10.8cm)
Drain hole	1-11/16" D. (4.3cm)		
* Approximate measurements for comparison only.			
Holes	K-2950-8	K-2950-1	K-2950-4
Spout	1-1/8" D. (2.9cm)	1-3/8" D. (3.5cm)	1-1/8" D. (2.9cm)
Faucet	1-3/8" D. (3.5cm)		1-3/16" D. (3cm)
Included Components:			
Overflow ferrule (1)	84896		
Cutout template	1003100-7		

Installation Notes

Install this product according to the installation guide.

Fixture dimensions are nominal and conform to tolerances in ASME Standard A112.19.1M.

NOTICE: Countertop manufacturer or cutter **must** use the cut-out template provided with the product, or a current one provided by Kohler Co. (call 1-800-43-FOCUS). Kohler Co. is not responsible for cut-out errors when the incorrect cut-out template is used.



(S) 10" (25.4cm) (Based on 12" (30.5cm) riser which may require cutting).

.65<116