

Features

- KOHLER cast iron
- Self-rimming
- 4" (10.2 cm) centers, 8" (20.3 cm) centers or single-hole
- 19-1/4" (48.9 cm) x 16-1/4" (41.3 cm)

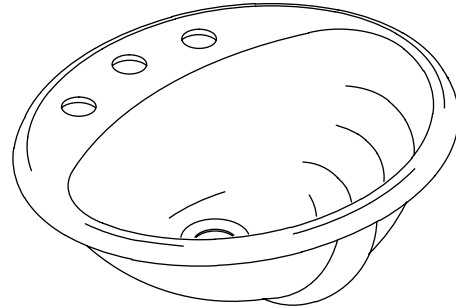
SELF-RIMMING LAVATORY K-2906

ADA

Codes/Standards Applicable

Specified model meets or exceeds the following:

- ADA
- ASME A112.19.1
- IAPMO/UPC
- ICC/ANSI A117.1
- CSA B45



Colors/Finishes

- 0: White
- Other: Refer to Price Book for additional colors/finishes

Accessories

- CP: Polished Chrome

Specified Model

Model	Description	Colors/Finishes	
K-2906-8	Self-rimming lavatory with 8" (20.3 cm) centers	<input type="checkbox"/> 0	<input type="checkbox"/> Other _____
K-2906-4	Self-rimming lavatory with 4" (10.2 cm) centers	<input type="checkbox"/> 0	<input type="checkbox"/> Other _____
K-2906-1	Self-rimming lavatory with single-hole	<input type="checkbox"/> 0	<input type="checkbox"/> Other _____
Recommended Accessories			
K-8998	P-Trap		<input type="checkbox"/> CP

Product Specification

The high design self-rimming lavatory shall be made of cast iron. Lavatory shall have 4" (10.2 cm) centers, 8" (20.3 cm) centers, or single-hole. Lavatory shall be 19-1/4" (48.9 cm) in length, and 16-1/4" (41.3 cm) in width. Lavatory shall be Kohler Model K-2906-_____-_____.

Technical Information

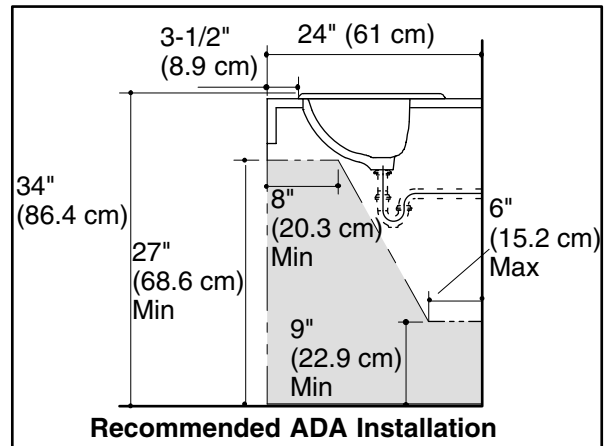
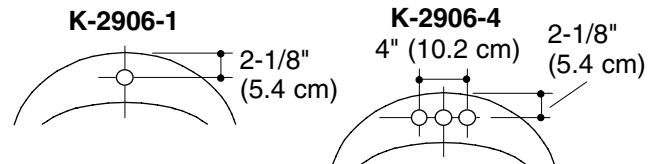
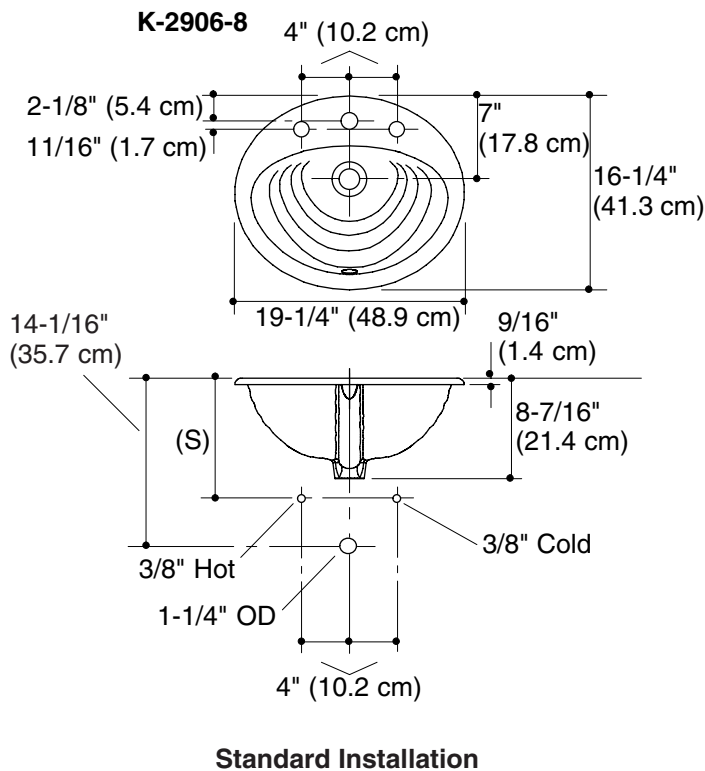
Fixture*:	
Basin area	16" (40.6 cm) x 11" (27.9 cm)
Water depth	4-7/8" (12.4 cm)
Drain hole	1-11/16" (4.3 cm) D.
* Approximate measurements for comparison only.	

Holes	K-2906-1	K-2906-4	K-2906-8
Spout	1-3/8" (3.5 cm) D.	1-1/8" (2.9 cm) D.	1-1/8" (2.9 cm) D.
Faucet	NA	1-3/16" (3 cm) D.	1-3/8" (3.5 cm) D.

Included components:	
Overflow ferrule (1)	84896
Cut-out template	1002972-7

Installation Notes

Install this product according to the installation guide.



(S)	K-2906-1, K-2906-4	K-2906-8
	10" (25.4 cm)	14" (35.6 cm)

Product Diagram