

Features

- KOHLER cast iron.
- Drop-in.
- Rectangular basin.
- With overflow.
- Single faucet hole.
- 21" (533 mm) x 19" (483 mm)

Recommended Accessories

K-8998 P-Trap



ADA

Codes/Standards

ASME A112.19.1/CSA B45.2

ADA

ICC/ANSI A117.1




KOHLER® Lifetime Limited Warranty for Cast Iron Components

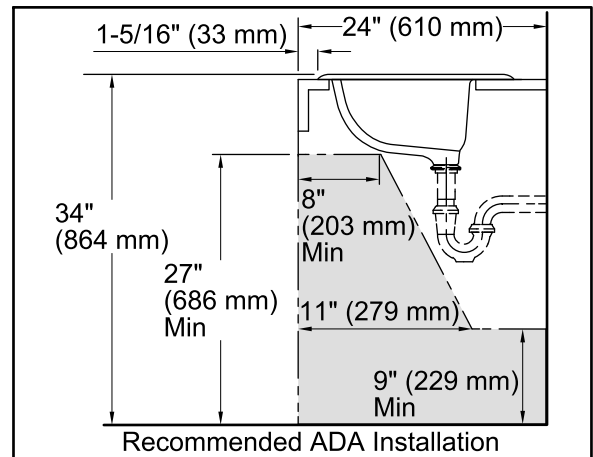
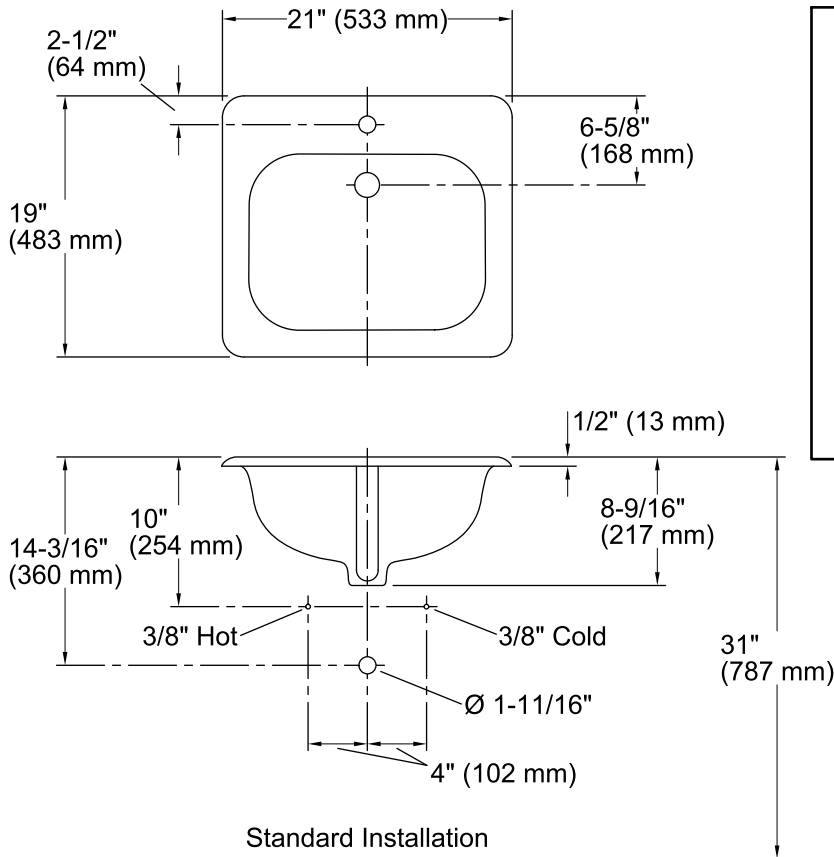
See website for detailed warranty information.

Available Color/Finishes

Color tiles intended for reference only.

Color	Code	Description
-------	------	-------------

- | | | |
|--|----|---------|
|  | 0 | White |
|  | 96 | Biscuit |
|  | 47 | Almond |



Technical Information

All product dimensions are nominal.

Bowl configuration:	Single
Installation:	Drop-In
Bowl area (Only)	Length: 16" (406 mm) Width: 12" (305 mm) Water depth: 5" (127 mm)
Number of deck holes:	1
Faucet hole(s):	1-3/8" (35 mm)
Drain hole:	1-3/4" (44 mm)
Template:	Drop-in, 116586-7, required, included

Notes

Install this product according to the installation guide.

ADA compliant when installed to the specific requirements of these regulations.