

Product Information

ADA compliant.			
Fixture*:		basin area	water depth
Lavatory		30" (76.2cm) x 13" (33cm)	4-7/8" (12.4cm)
Drain holex	1-11/16" D. (4.3cm)		
* Approximate measurements for comparison only.			

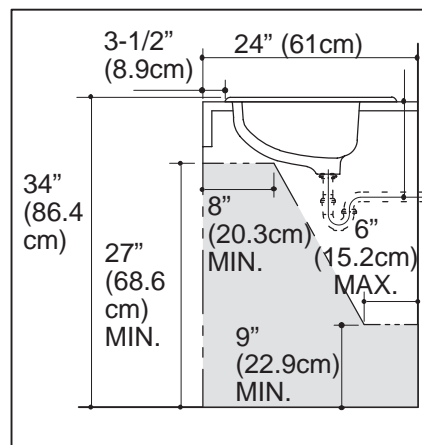
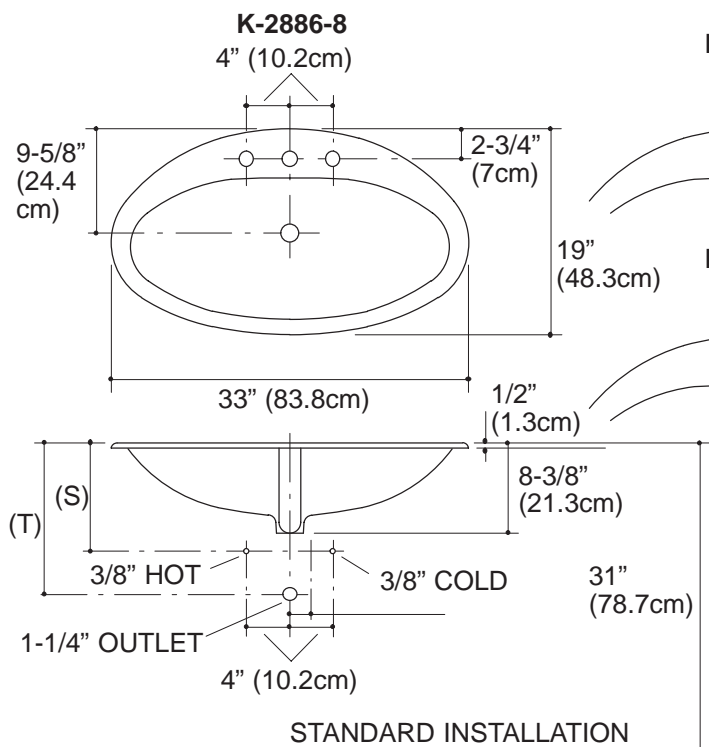
Holes	K-2886-8	K-2886-1	K-2886-4
Spout	1-1/8" D. (2.9cm)	1-3/8" D. (3.5cm)	1-1/8" D. (2.9cm)
Faucet	1-3/8" D. (3.5cm)		1-3/16" D. (3cm)

Included Components:	
Overflow ferrule	84896
Cutout template	100207-7

Installation Notes

Install this product according to the installation guide.

Fixture dimensions are nominal and conform to tolerances in ASME Standard A112.19.1M.



(T) Pop-up drain 14" (35.6cm).

(S) 10" (25.4cm) (Based on 12" (30.5cm) riser which may require cutting).