

### UNDERCOUNTER LAVATORY K-2874

ADA

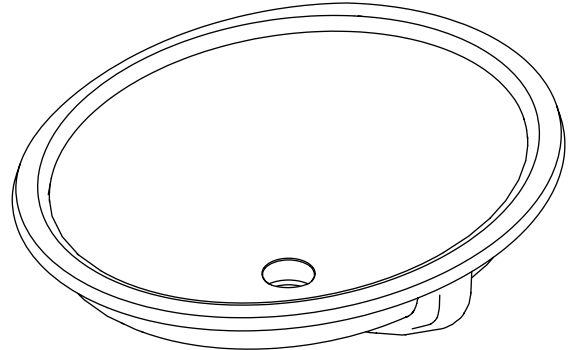
#### Features

- KOHLER cast iron
- Below-the-counter installation
- With overflow
- 19-7/16" (49.4 cm) x 16-1/16" (40.8 cm)

#### Codes/Standards Applicable

Specified model meets or exceeds the following:

- ADA
- ICC/ANSI A117.1
- ASME A112.19.1/CSA B45.2



#### Colors/Finishes

- 0: White
- Other: Refer to Price Book for additional colors/finishes

#### Accessories

- CP: Polished Chrome
- Other: Refer to Price Book for additional colors/finishes

#### Specified Model

Model	Description	Colors/Finishes	
K-2874	Undercounter lavatory	<input type="checkbox"/> 0	<input type="checkbox"/> Other_____
Recommended Accessories			
K-9018	P-Trap	<input type="checkbox"/> CP	<input type="checkbox"/> Other_____
K-9035	Bottle trap	<input type="checkbox"/> CP	<input type="checkbox"/> Other_____

#### Product Specification

The undercounter lavatory shall be made of Kohler cast iron. Lavatory shall be 19-7/16" (49.4 cm) in length and 16-1/16" (40.8 cm) in width. Lavatory shall be with overflow. Lavatory shall be below-the-counter installation. Lavatory shall be Kohler Model K-2874-\_\_\_\_\_.

# CANVAS

## Technical Information

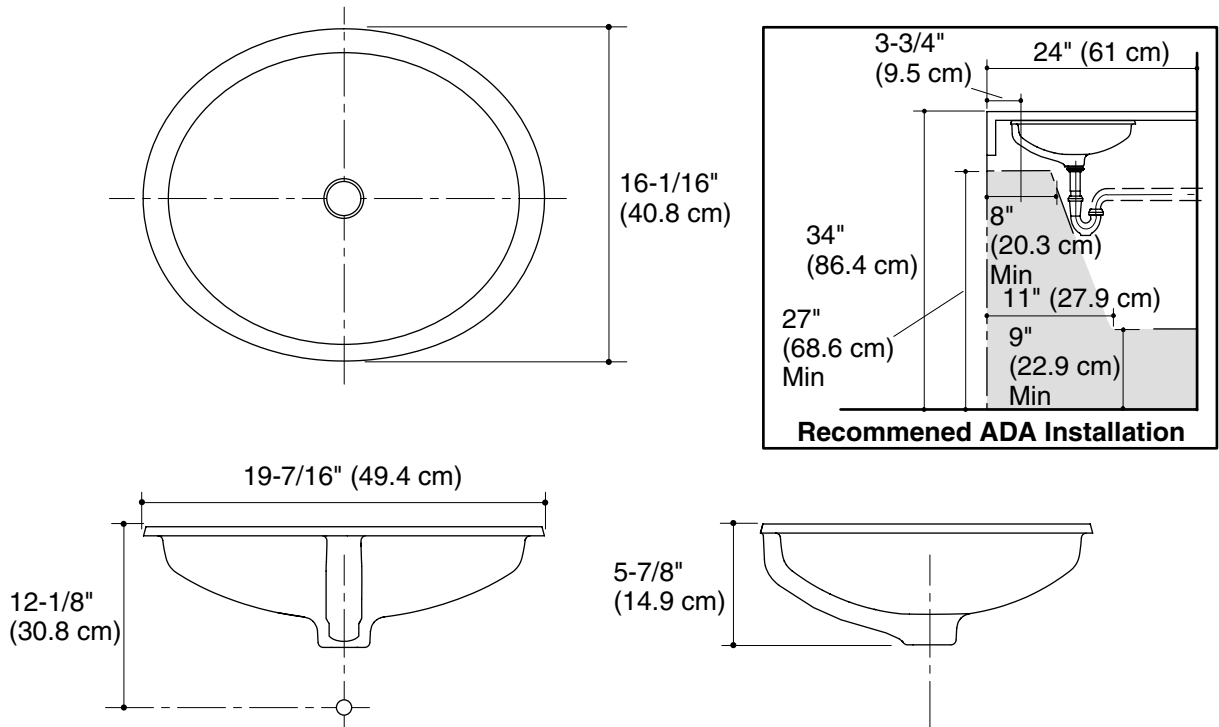
Fixture*:	
Basin area	17" (43.2 cm) x 14" (35.6 cm)
Basin depth	3-15/16" (10 cm)
Drain hole	1-5/8" (4.1 cm) D.
Water depth to overflow	2-5/8" (6.7 cm)
* Approximate measurements for comparison only.	

Included components:	
Hardware Kit	52047
Cut-out template	1002975

## Installation Notes

Install this product according to the installation guide.

**NOTICE:** Countertop manufacturer or cutter must use the cut-out template provided with product, or a current one provided by Kohler Co. (call 1-800-4-KOHLER). Kohler Co. is not responsible for the cut-out errors when the incorrect cut-out template is used.



## Product Diagram