

Features

- Self-rimming
- KOHLER cast iron
- Without overflow
- 8" (20.3 cm) centers (-8), 4" (10.2 cm) centers (-4), or single-hole (-1)
- 22-5/8" (57.5 cm) x 17-1/4" (43.8 cm)

SELF-RIMMING LAVATORY K-2831

ADA

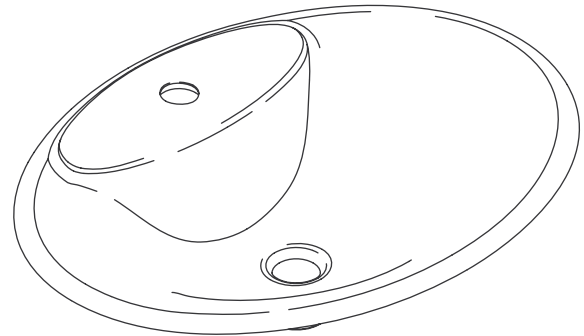
CSA B651

OBC

Codes/Standards Applicable

Specified model meets or exceeds the following:

- ADA
- ICC/ANSI A117.1
- CSA B651
- OBC
- ASME A112.19.1/CSA B45.2



Colors/Finishes

- 0: White
- Other: Refer to Price Book for additional colors/finishes

Accessories

- CP: Polished Chrome
- Other: Refer to Price Book for additional colors/finishes

Specified Model

Model	Description	Colors/Finishes	
K-2831-1	Single-hole self-rimming lavatory	<input type="checkbox"/> 0	<input type="checkbox"/> Other_____
K-2831-4	4" (10.2 cm) centers self-rimming lavatory	<input type="checkbox"/> 0	<input type="checkbox"/> Other_____
K-2831-8	8" (20.3 cm) centers self-rimming lavatory	<input type="checkbox"/> 0	<input type="checkbox"/> Other_____

Recommended Accessories		
K-8998	P-Trap	<input type="checkbox"/> CP

Product Specification

The self-rimming lavatory shall be made of cast iron. Lavatory shall be 22-5/8" (57.5 cm) in length and 17-1/4" (43.8 cm) in width. Lavatory shall have 8" (20.3 cm) centers (-8), 4" (10.2 cm) centers (-4), or single-hole drilling (-1). Lavatory shall not include overflow. Lavatory shall be Kohler Model K-2831-_____-_____.

MARATEA®

Technical Information

Fixture*:	
Basin area	21-3/16" (53.8 cm) x 11-5/16" (28.7 cm)
Water depth	4-1/2" (11.4 cm)
Drain hole	1-3/4" (4.4 cm) D.
* Approximate measurements for comparison only.	

Holes	K-2831-8	K-2831-4	K-2831-1
Spout	1-3/16" (3 cm) D.	1-3/16" (3 cm) D.	1-3/8" (3.5 cm) D.
Faucet	1-3/8" (3.5 cm) D.	1-3/16" (3 cm) D.	

Included components:	
Cut-out template	1046628-7

Installation Notes

Install this product according to the installation guide.

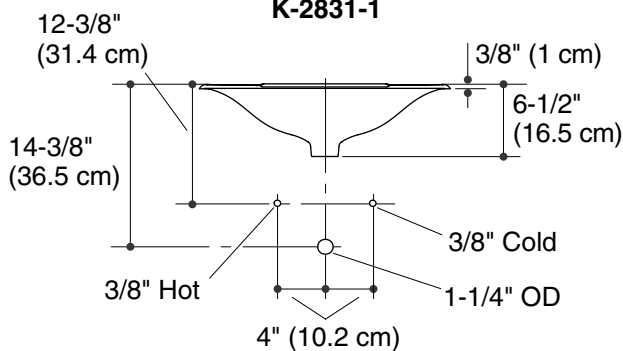
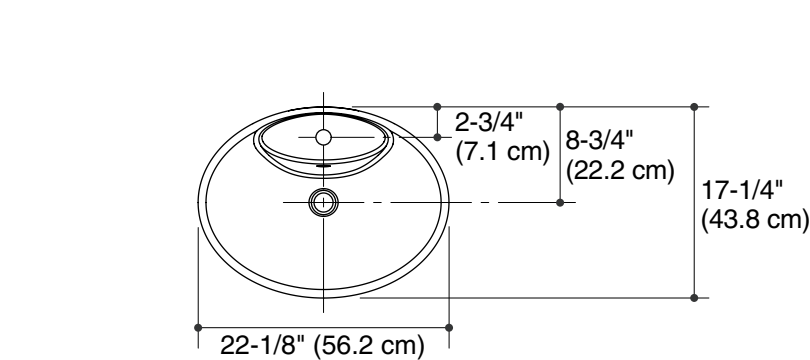
Product does not have an overflow.

NOTICE: Countertop manufacturer or cutter **must** use the cut-out template provided with the product, or a current one provided by Kohler Co. (call 1-800-4-KOHLER). Kohler Co. is not responsible for cutout errors when the incorrect cut-out template is used.

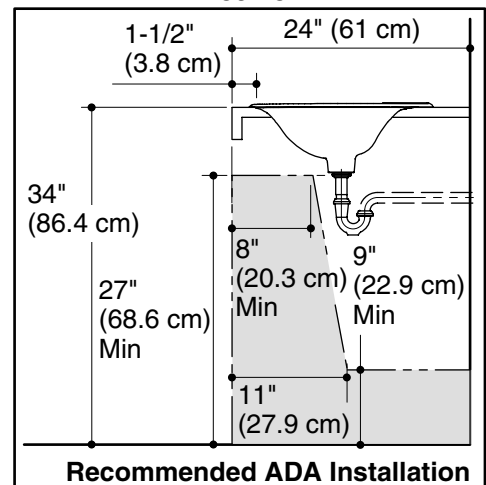
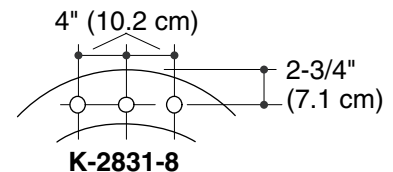
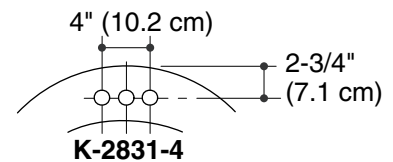
Will comply with **ADA** when installed per Section 606 Lavatories of the Act.

Will comply with **CSA B651** when installed per Clause 4.3.3 of the standard.

Will comply with **OBC** when installed per Clause 3.8.3.11.



Standard Installation



Recommended ADA Installation

Product Diagram