

Product Information

Applicable product:	
Without faucet holes	K-2314
Single-hole	K-2314-1
4" (10.2 cm) centers	K-2314-4
8" (20.3 cm) centers	K-2314-8
Product is ADA compliant.	
ADA	

Fixture*:		
Basin area	22" (55.9 cm) x 17-1/2" (44.5 cm)	
Water depth	1-3/4" (4.4 cm)	
Drain hole	1-3/4" (4.4 cm) D.	
Hole diameter:		
	Spout	Faucet
K-2314-1	1-3/8" (3.5 cm) D.	
K-2314-4	1-3/16" (3 cm) D.	1-3/16" (3 cm) D.
K-2314-8	1-3/16" (3 cm) D.	1-7/16" (3.7 cm) D.
* Approximate measurements for comparison only.		

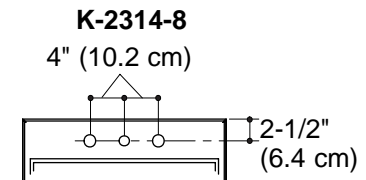
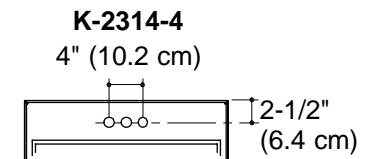
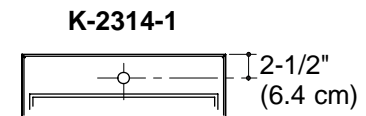
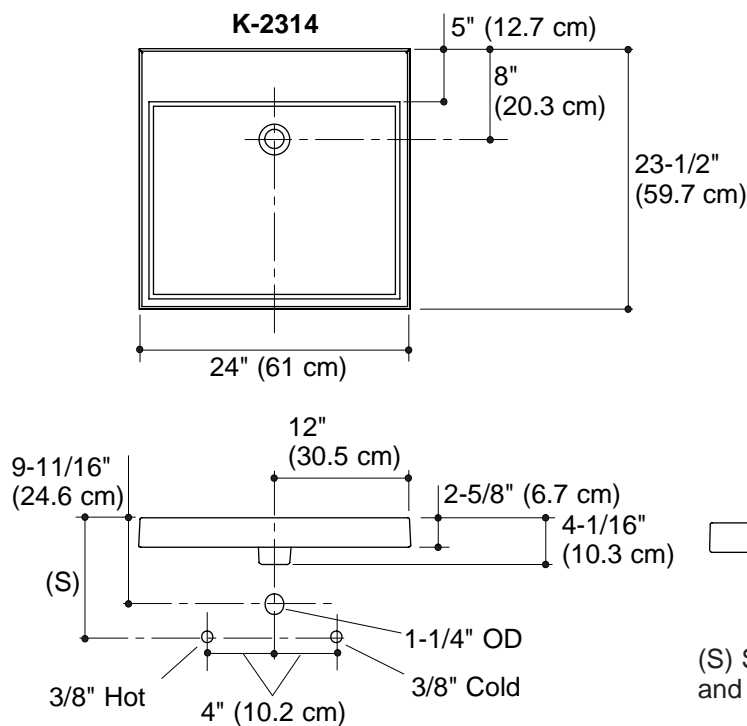
Included component:	
Cut-out template	1014137-7

Installation Notes

Install this product according to the installation guide.
Product does not have an overflow.

NOTICE: Countertop manufacturer or cutter **must** use the cut-out template provided with the product, or a current cut-out template provided by Kohler Co. (call 1-800-4-KOHLER). Kohler Co. is not responsible for cutout errors when the incorrect template is used.

Fixture dimensions are nominal and conform to tolerances in ASME Standard A112.19.2.



(S) Supply K-2314-1 & K-2314-4 = 10" (25.4 cm) and K-2314-8 = 14" (35.6 cm)