

### Product Information

Applicable product:	
Lavatory - above-the-counter or self-rimming	K-2276
Fixture is ADA compliant when installed per the recommended ADA installation. <b>ADA</b>	
Fixture*:	
Basin area	15" (38.1 cm) D
Water depth	5-1/2" (14 cm)
Drain hole	1-3/4" (4.4 cm) D.
* Approximate measurements for comparison only.	
Included components:	
Installation tape	84938
Cut-out template	115888-7

### Installation Notes

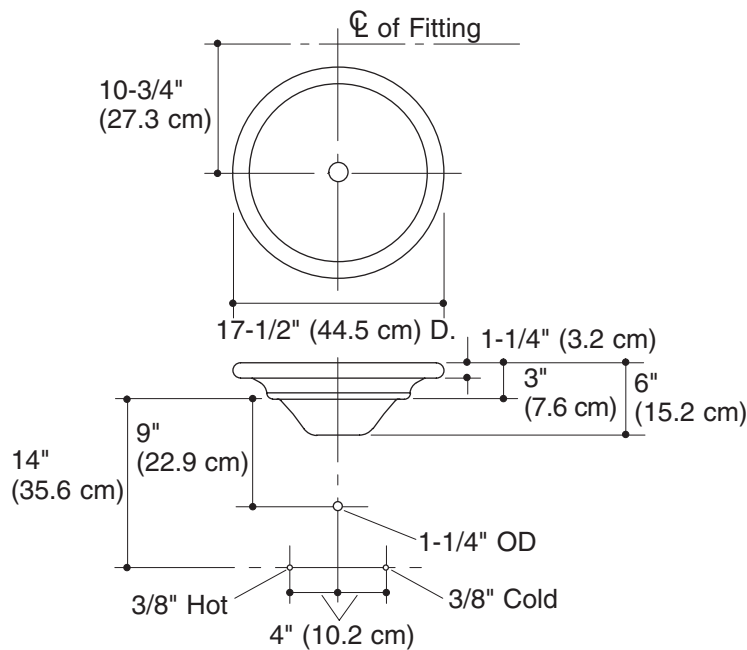
Install this product according to the installation guide.

Product does not have an overflow.

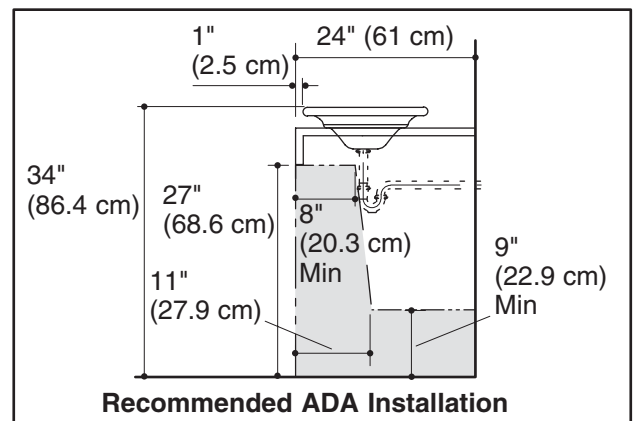
Spout must be 5" (12.7 cm) long (min) for adequate clearance into lavatory when installed with centerline as shown.

Spout must be tall enough to clear 3" (7.6 cm) rim height and provide a 1" (2.5 cm) air gap per ASME A112.1.2.

Diagram is based on the K-9018 P-trap with a 1" (2.5 cm) tailpiece exposed.



**Standard Installation**



**Recommended ADA Installation**