

KOHLER® Roughing-In

K-2240 VINTAGE™ UNDERCOUNTER LAVATORY

Product Information

Fixture*:		basin area	water depth
Lavatory		21" (53.3 cm) x 12" (30.5 cm)	4-7/8" (12.4 cm)
Drain hole	1-3/4" (4.4 cm) D.		
* Approximate measurements for comparison only.			

Included Components:	
Basin clamp assembly	52047
Adjustable linkage	40372
Cut-out template	1046699-7

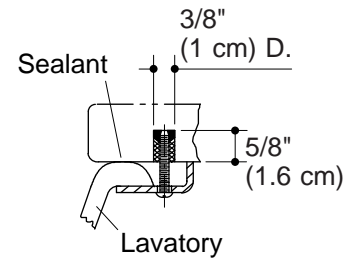
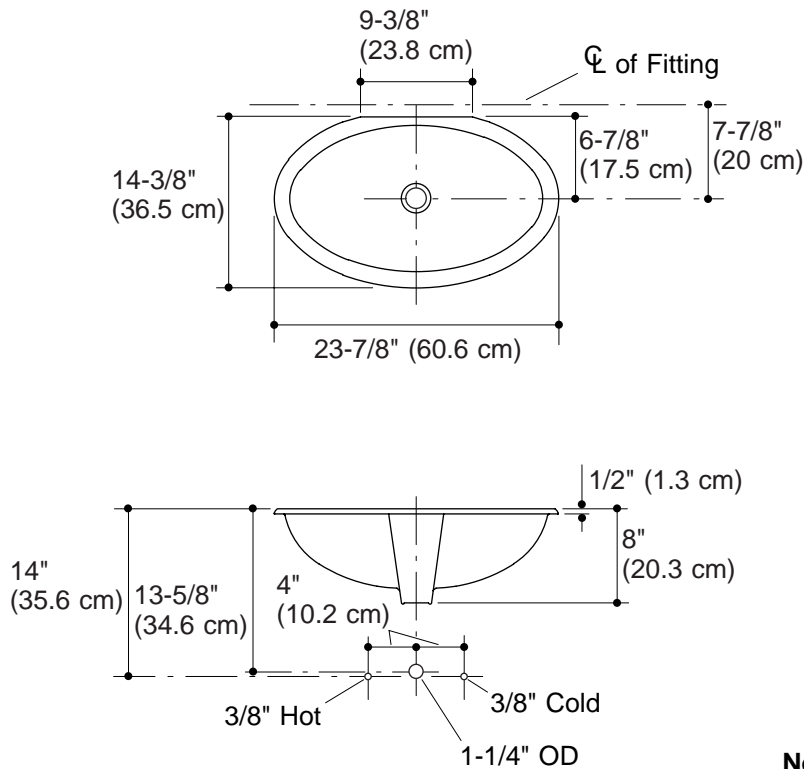
Installation Notes

Install this product according to the installation guide.

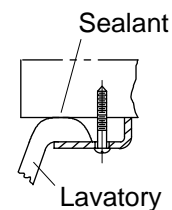
Supplied basin clamp assemblies require 1" (2.5 cm) minimum countertop thickness. Installer must supply anchors for thinner countertops.

NOTICE: Countertop manufacturer or cutter must use the cut-out template provided with the product or a current one provided by Kohler (call 1-800-4-KOHLER). Kohler is not responsible for cut-out errors when an incorrect cut-out template is used.

Fixture dimensions are nominal and conform to tolerances in ASME Standard A112.19.2.



**Marble Slab
Installation**



**Wood Counter
Installation**

Note: Waterproof unprotected overhang area on the underside of wood counter.